

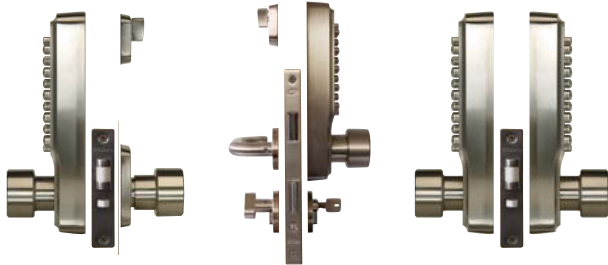
KEYLEX MECHANICAL HEAVY DUTY



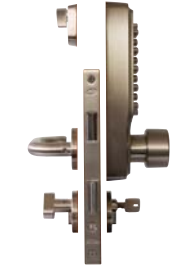
REL.K2100series

Optional Features & Benefits

- Key override** - On board cylinder allows key holder access in all instances without prior knowledge of the user code (standard model only)
- Rebate kits** - Two part rebate kits are available for rebates @ 12.5mm and 25mm - with certain sash lock or night latch choices (refer to the sales office)
- Extended door kits** - Factory fitted modifications including extended fixings, spindles and free passage turns to suit doors up to 75mm thick (standard & sash lock models)
- Back-to-back** - A factory modification offering bi-directional coded access control (standard model only)
- Lever Operation to both Sides** - Preferable where potential knuckle burring is a possibility (standard & sash lock models)



REL.K2100K
Standard model with mortice double throw deadlocking latch



REL.K2100KL.SASH
Option with mortice cylinder sash lock case & Euro profile key override



REL.K2100B
Option with mortice double throw deadlocking latch back-to-back

Suitability

The **Keylex 2100** lock body and internal mechanism construction is cast zinc and solid brass with stainless steel code buttons and is suitable for use on external perimeter doors including gates & all internal doors -

- Timber
- Aluminium
- Steel
- PVCu (See **REL.K700M** for Multi-Point Version - pages 8 & 9)
- Composite

The **Keylex 2100** suits door thicknesses between 30mm and 45mm standard. Please advise all door thicknesses in excess of 45mm.

The **Keylex 2100** suits minimum clear stile widths of 114mm when used with the standard latch bolt (backset length 76mm). This reduces to 98mm when used with the optional latch bolt or sash lock - each with a 60mm backset length.

NB - Stop depths may restrict suitability.

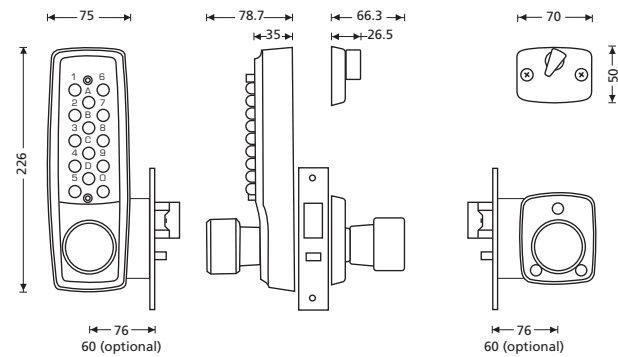
Important Note

The inside lever on the **REL.K2100KL** is necessarily handed and will be set accordingly before despatch.

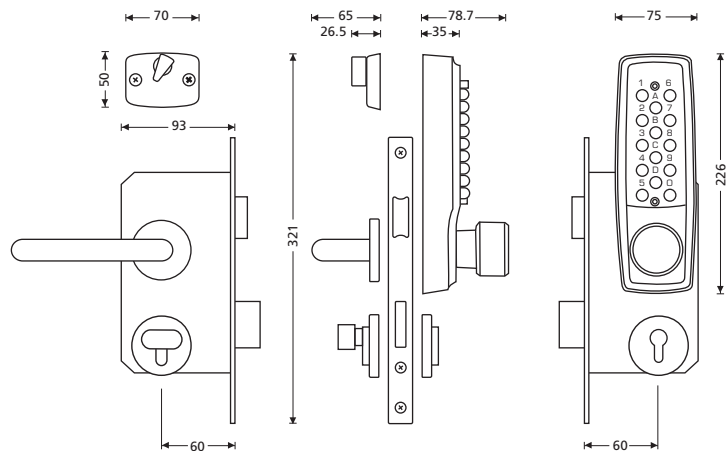
See **General Information - Handing Locks (& Doors)** on page 20.

Critical Dimensions

REL.K2100K Standard Model with Mortice Double Throw Deadlocking Latch



REL.K2100KL.SASH Option with Mortice Cylinder Sash Lock Case & Euro Profile Key Override



How to Specify or Order

Part #	Description
REL.K2100K	Round Knob Furniture to Both Sides
Suffix .76 or .60	.76 = 76mm Backset .60 = 60mm Backset
Suffix .KO	Add to denote on-board Key Override
REL.K2100KL.SASH	Split Design w. Return to Door Lever Inside
Suffix .60	60mm Backset Only
Suffix .KO	Key Override is the Default Option

Finishes

- Standard Model and Sash Lock Version Lock Body Only
- SC** - Silver (Satin Chrome effect) with Stainless Steel Buttons
- AB** - Antique Brass with Stainless Steel Buttons

- Sash Lock Version Inside Lever and Escutcheons Only
- US32D** - Satin Stainless Steel

Tel: 01380 729600
Fax: 01380 729888