

FB41 INSTALLATION INSTRUCTIONS:

1. MORTISE INACTIVE DOOR FOR FB41 FLUSH BOLTS.
2. FB41 FLUSH BOLT FITS D.H.1.-W5 DOOR AND FRAME PREPARATION.
3. HANG INACTIVE DOOR. WITH DOOR OPEN, MEASURE MINIMUM DISTANCE (MIN CLEARANCE) FROM DOOR TO FINISHED FLOOR.
4. REMOVE DOOR. INSTALL TOP FLUSH BOLT IN EDGE OF DOOR. ADJUST TOP BOLT SO IT IS FLUSH WITH TOP OF DOOR WHEN RETRACTED. IF A BOTTOM FLUSH BOLT IS USED, INSTALL THE FLUSH BOLT AND ADJUST BOLT TO PROJECT 1/8" (3) LESS THAN THE MINIMUM CLEARANCE.
5. INSTALL STRIKES.
6. INSTALL RUB PLATES ON EDGE OF ACTIVE DOOR ON CAM CENTERLINES.
7. INSTALL FACE PLATES.

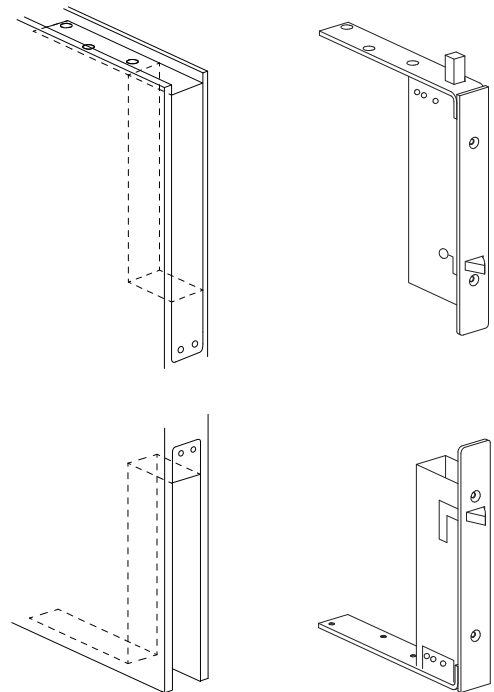
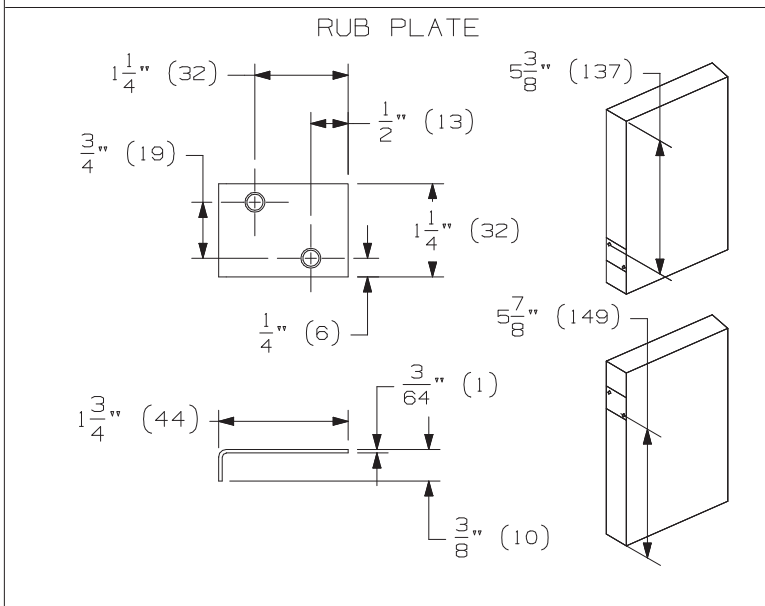
FIELD ADJUSTMENT

VERTICAL ROD ADJUSTMENT:
TOP FLUSH BOLT: REMOVE GUIDE, TURN BOLT CLOCKWISE OR COUNTERCLOCKWISE AS NECESSARY TO ADJUST, REPLACE GUIDE.

BOTTOM FLUSH BOLT:
 REMOVE DOOR FROM HINGES, REMOVE GUIDE, TURN BOLT CLOCKWISE OR COUNTERCLOCKWISE AS NECESSARY TO ADJUST, REPLACE GUIDE, REPLACE DOOR.

NOTE:

1. INSTALL COORDINATOR BEFORE AUTOMATIC FLUSH BOLTS.
2. THE RECOMMENDED CLEARANCE BETWEEN DOORS IS 1/8" (3).
3. THE MAXIMUM UNDERCUT IS 3/4" (19).



INST.FB41

FB41 SCREW DETAIL PER FLUSH BOLT			
	QTY.	MACHINE SCREW	SHEET METAL SCREWS
HOUSINGS	4	————	#8 X 1" FPHSMS
FACEPLATES	2	6-32 X 3/8" UFPHMS	————
STRIKES	2	8-32 X 3/8" UFPHMS	#8 X 1" FPHSMS W/ PLASTIC EXP. SHIELD
RUB PLATES	2	————	#6 X 3/4" FPHSMS
GUIDES	3	————	#10 X 1" FPHSMS

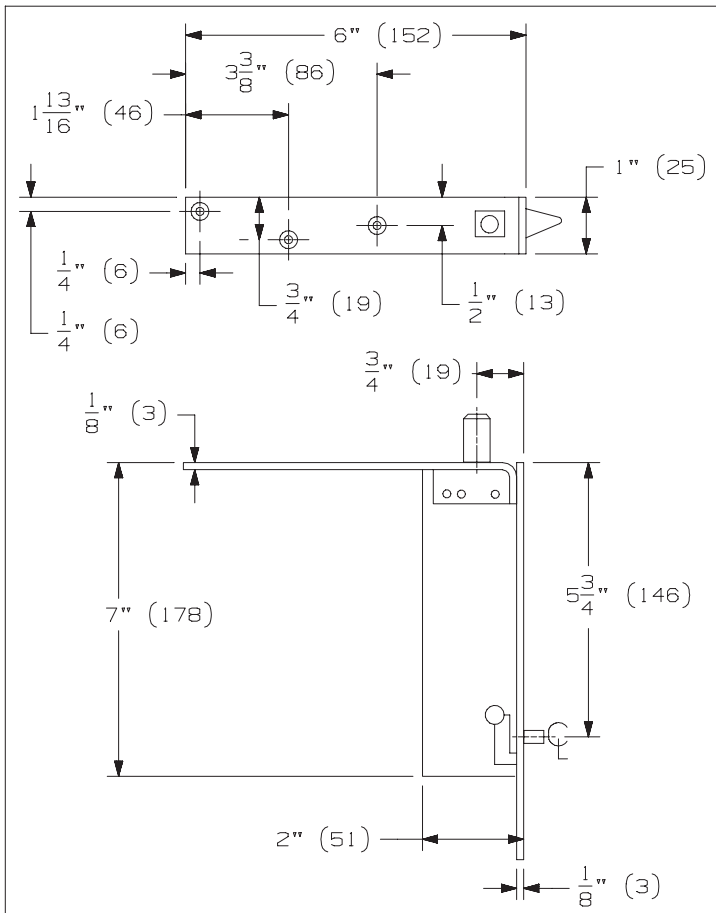
IVES FB41 AUTOMATIC FLUSH BOLT
 FOR WOOD DOORS INSTALLATION TEMPLATE



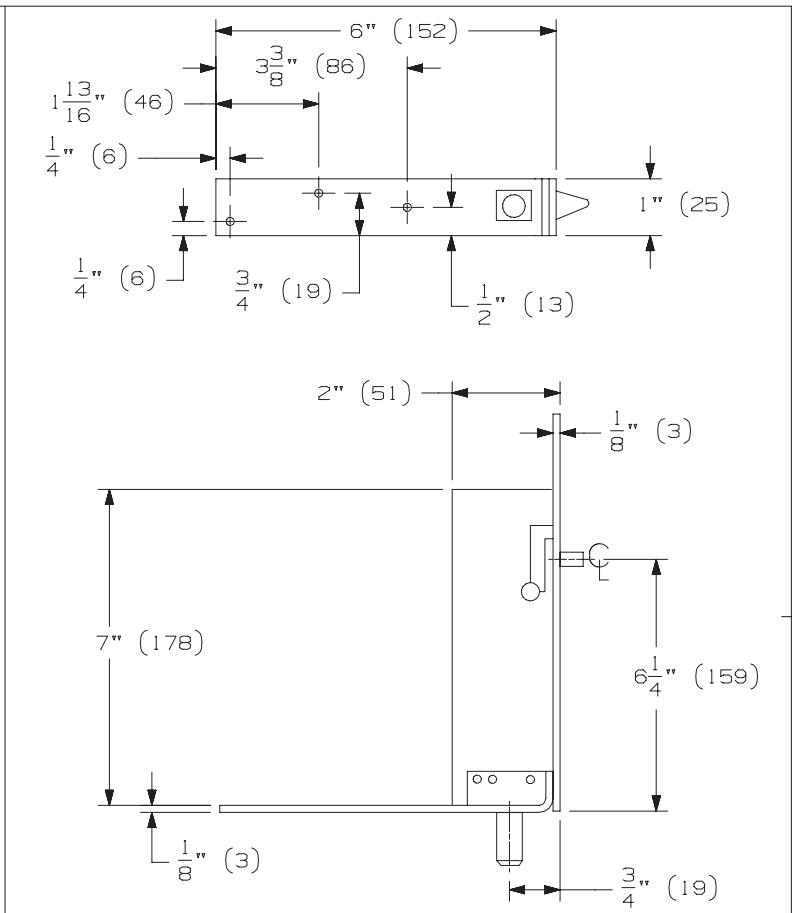
NOTE: DIMENSIONS IN () ARE MILLIMETERS.

TEMPLATE NUMBER: INST.FB41_B

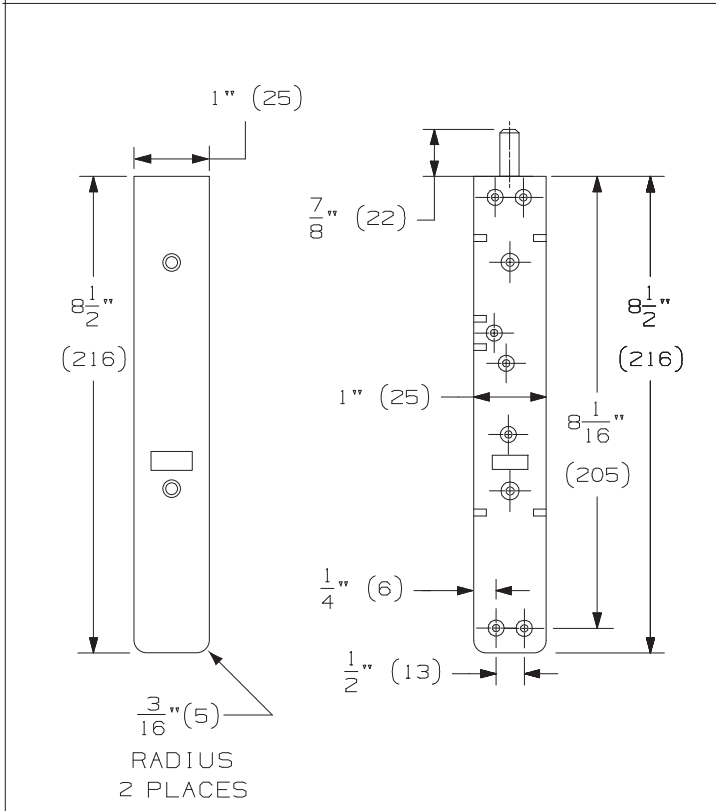
DATE: 11-11-10



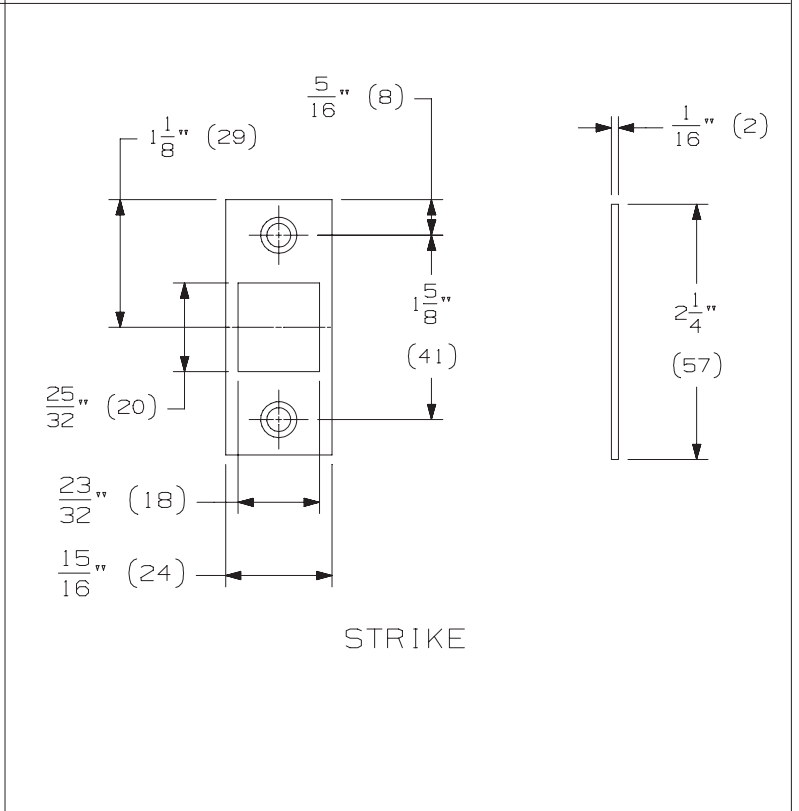
FB41 TOP BOLT
SIDE VIEW



FB41 BOTTOM BOLT
SIDE VIEW



FB41T & FB41B
BASIC PART DIMENSIONS



STRIKE