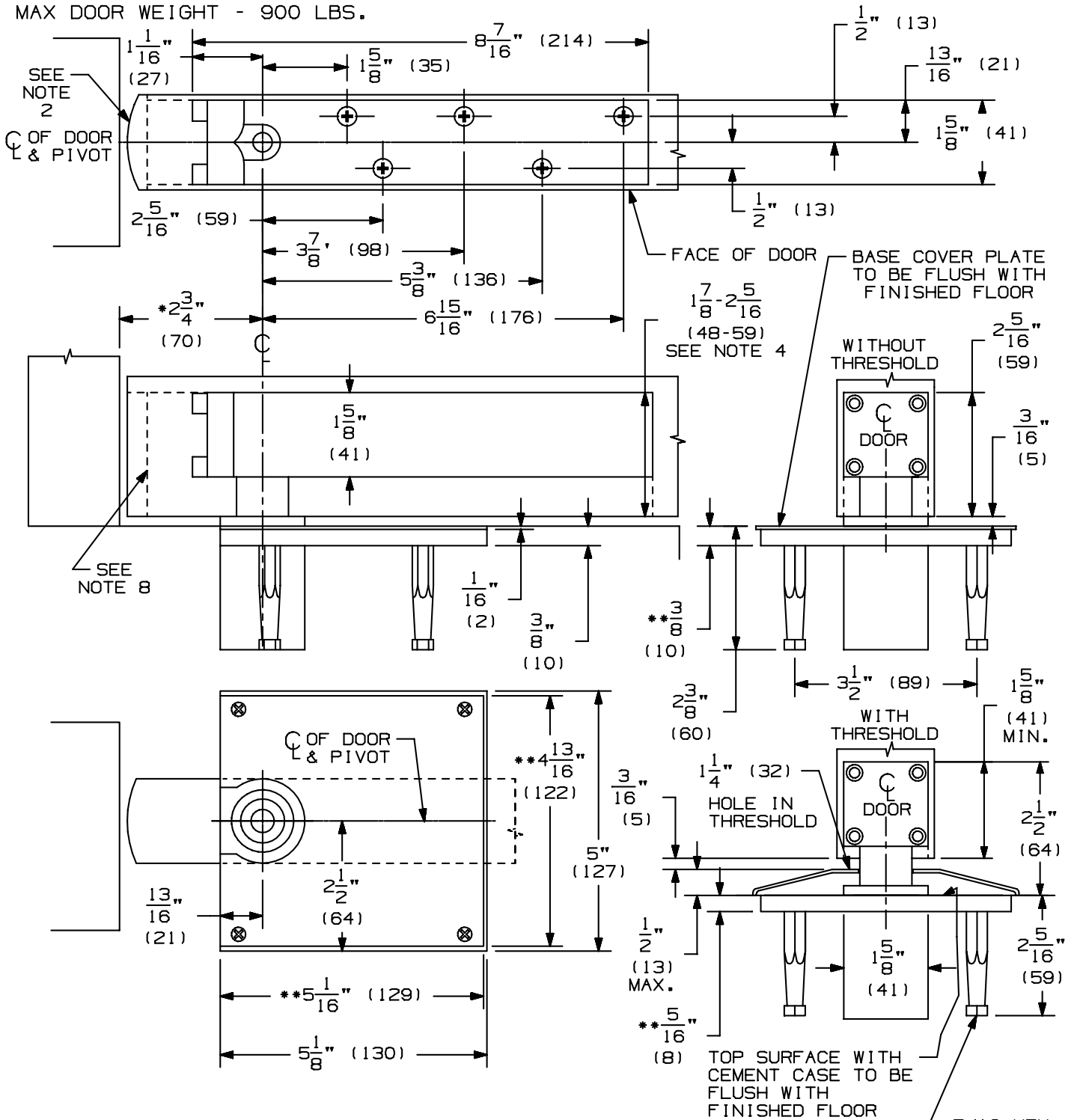


NOTES:

1. INSTALLER MUST VERIFY THAT CENTERLINE OF TOP PIVOT POINT LINES UP WITH THE CENTERLINE OF BOTTOM PIVOT POINT.
2. BOTTOM PIVOT SET SHOULD BE MOUNTED FIRST IN MOST INSTALLATIONS.
3. RADIUS OF HEEL EDGE OF DOOR MUST NOT EXCEED PIVOT POINT TO JAMB DISTANCE. STANDARD 2" RADIUS IS SHOWN.
4. PIVOTS MFG. TO ACCEPT 1/4-20 X 3/4 FPHMS OR #14 X 1-1/2 FPHWS.
- * 5. PIVOT CENTER MAY BE VARIED AS DESIRED. MINIMUM DISTANCE IS 2 3/4 AS SHOWN.
6. REINFORCING PER ANSI/SDI-100 RECOMMENDED FOR HOLLOW METAL DOORS & FRAMES.

IVES	7259 PIVOT SET 7259 TOP PIVOT	IR Security & Safety®
-------------	----------------------------------	----------------------------------

MAX DOOR WEIGHT - 900 LBS.



NOTES:

1. INSTALLER MUST VERIFY THAT CENTERLINE OF TOP PIVOT POINT LINES UP WITH CENTERLINE OF THE BOTTOM PIVOT POINT.
2. RADIUS OF HEEL EDGE OF DOOR MUST NOT EXCEED PIVOT POINT TO JAMB DISTANCE. STANDARD 2" RADIUS IS SHOWN.
3. PIVOTS MFG. TO ACCEPT 1/4-20 X 3/4 FPHMS OR #14 X 1-1/2 FPHMS.
4. BOTTOM PIVOT WILL ACCOMMODATE 3/16" TO 3/4" DOOR CLEARANCE. DOOR MORTISE DEPTH DETERMINES CLEARANCE. 1/2" MAX THRESHOLD.
- *5. PIVOT CENTER MAY BE VARIED AS DESIRED. MINIMUM DISTANCE IS 2 3/4" AS SHOWN.
6. REINFORCING PER ANSI/SDI-100 RECOMMENDED FOR HOLLOW METAL DOORS & FRAMES.
- **7. DIMENSIONS FOR CEMENT CASE OUTPUT DEPTH IS 3/8" WITHOUT THRESHOLD. 5/16" WITH THRESHOLD
8. REMOVABLE DOOR SECTION TO ALLOW ACCESS TO PIVOT LEAF BRACKET SCREWS.

7/16 HEX
1/2 MAX.
WIDTH
CORNER
TO CORNER

IVES

7259 PIVOT SET
7259 BOTTOM PIVOT

IR Security & Safety®

NOTE: DIMENSIONS IN () ARE MILLIMETERS.

TEMPLATE NUMBER: INST.7259_0.PG2

DATE: 08-21-01