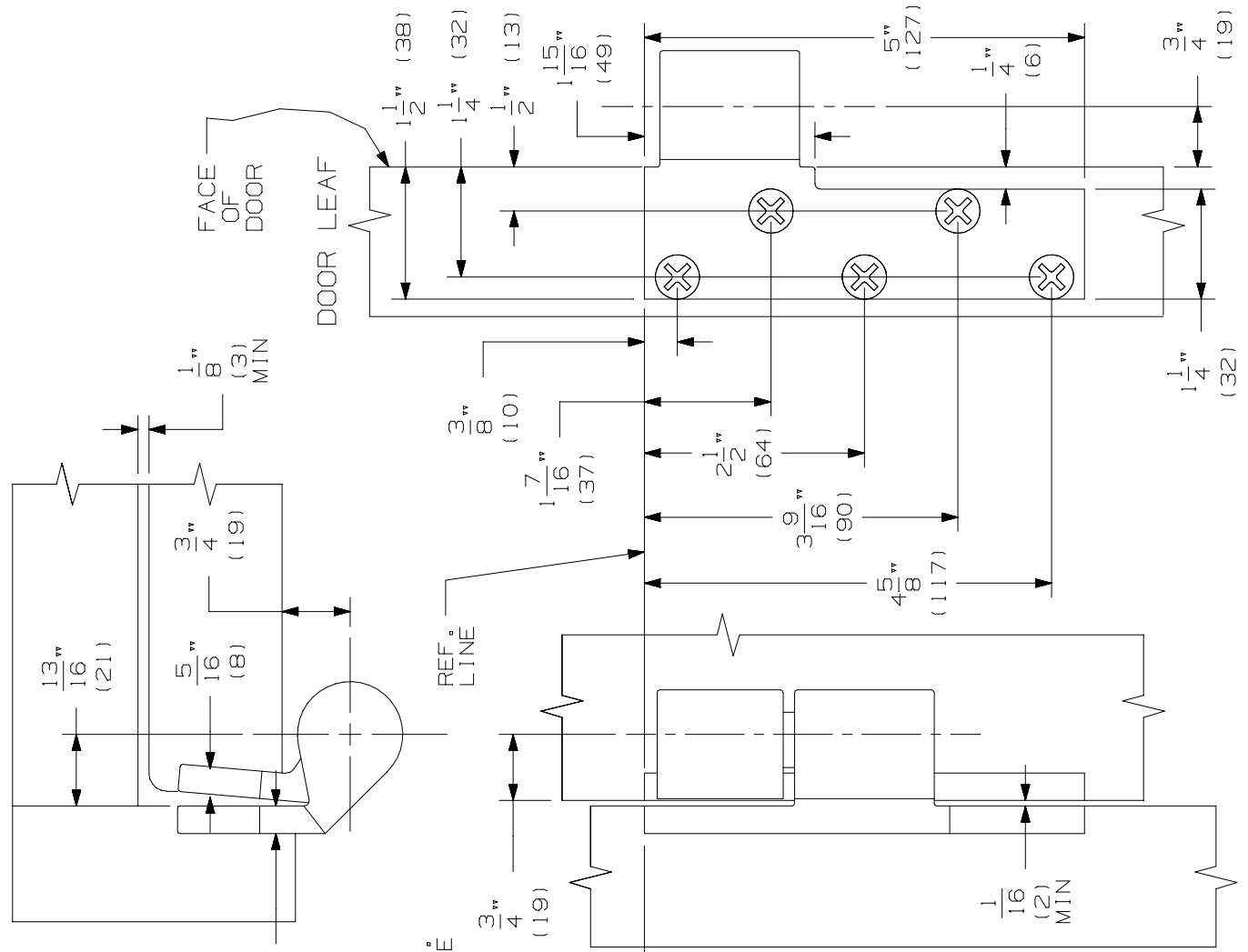


RIGHT HAND DOOR & PIVOT SHOWN. LEFT HAND OPPOSITE.



- NOTES:
1. INSTALLER MUST VERIFY THAT CENTERLINE OF INTERMEDIATE PIVOT IS IN LINE WITH TOP AND BOTTOM PIVOTS.
 2. PIVOT SET IS HANDED. RIGHT HAND TEMPLATING SHOWN. LEFT HAND OPPOSITE.
 3. HEEL EDGE OF DOOR MUST BE BEVELED 1/8" IN 2"
 4. PIVOT'S MANUFACTURER TO ACCEPT 1/4-20 X 3/4 FPHMS OR #14 X 1 1/2" FPHWS.
 5. VERTICAL LOCATION OF INTERMEDIATE PIVOT SHOULD BE EQUALLY SPACED BETWEEN TOP & BOTTOM PIVOT SETS.
 6. REINFORCING PER ANSI/SDI-100 RECOMMENDED FOR HOLLOW METAL DOORS & FRAMES.



7230F INTERMEDIATE PIVOT USED IN PIVOTS SETS 7230F & 7237F



NOTE: DIMENSIONS IN () ARE MILLIMETERS.

TEMPLATE NUMBER: INST. 7230I_0

DATE: 08-20-01