

REL.6000 Series

Electric Strikes - Basic Principles

Electric strikes provide remote release of a locked door. They allow the door to be opened without retracting the latch bolt. This is achieved via the release of the electric strike lip (sometimes called the keeper or gate). When the door closes the bevelled latch bolt rides over the lip and falls into the electric strike pocket.

REL.6113 Electric Strike - Heavy Duty Rim Mount

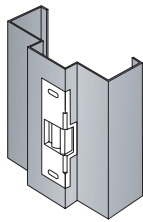
Application

For use with rim mounted escape hardware on single door applications.

Hollow metal frames
Timber frames
Aluminium frames

Compatibility

REL.22EO
REL.33A-EO
REL.35A-EO
REL.98EO
REL.99EO



Strikes are furnished
Fail Secure (FSE)
or **Fail Safe (FS)**

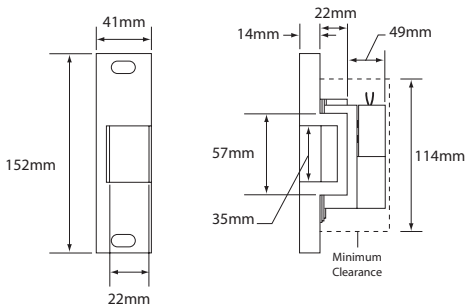
Optional **DS** Dual Signal Switch feature is available
(see Access Control Brochure - page 26)

Electrical Specification

Solenoid (Continuous Duty) - 12Vdc
Current Holding (Seated) - 600mA

Solenoid (Continuous Duty) - 24Vdc
Current Holding (Seated) - 330mA

Dimensions



Where To Use The 6000 Series Electric Strike

This easy-to-install electric strike is suitable for heavy duty applications where security on external doors is a requirement.

REL.6113.LBG - Extra Heavy Duty Rim Mount

Application

For use with rim mounted escape hardware on single door applications where extreme abuse is anticipated.

Hollow metal frames
Timber frames
Aluminium frames

Compatibility

REL.22EO
REL.33A-EO
REL.35A-EO
REL.98EO
REL.99EO

Strikes are furnished
Fail Secure (FSE)
or **Fail Safe (FS)**

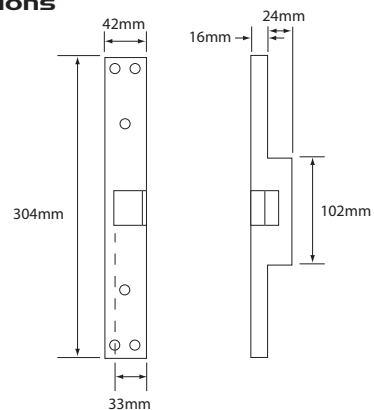
Optional **DS** Dual Signal Switch feature is available
(see Access Control Brochure - page 26)

Electrical Specification

Solenoid (Continuous Duty) - 12Vdc
Current Holding (Seated) - 600mA

Solenoid (Continuous Duty) - 24Vdc
Current Holding (Seated) - 330mA

Dimensions



Power Options REL.6113 & REL.6113.LBG

DC regulated power supplies (recommended)

REL.PS01 12Vdc 2 Amp Power Supply
REL.PS02 24Vdc 1 Amp Power Supply
(See Access Control Brochure page 24)

To convert to **AC** operation use **S0-24 Kit**

