

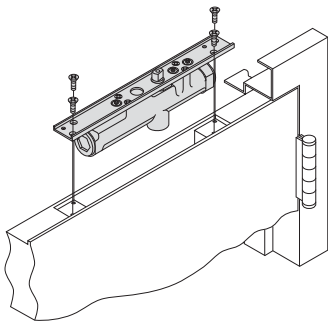
Type D - Standard Duty Mechanical Door Controls

Door Top Rail Concealed

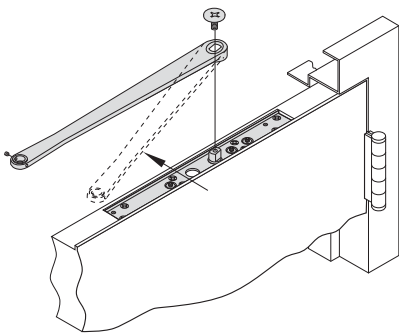
An Introduction

LCN pioneered the concealed-in-door closer. The **REL.3130** series is ideal for use on internal doors where aesthetics are of importance.

The standard compact cylinder is a handed cast iron cylinder assembly with mounting plate and is installed in the top rail of the door.

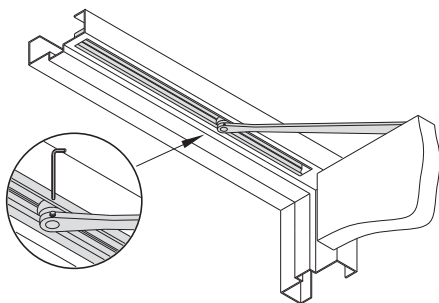


The standard **REL.3130-3077T** arm is handed (see opposite column).



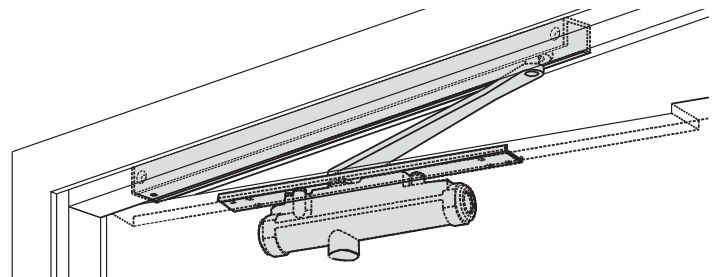
The standard **REL.3130-3038** is a non hold open, non-handed track and accepts the **HO Clip** (hold open clip) and/or bumper assembly -

(See page 33 for **REL.2010** & **REL.2030** track accessories and options - these are common to the **REL.3130** also).



The **REL.3130** series is a US fire rated product* for use on previously tested timber or mineral composite door sets. Seek advice from the door manufacturer before specifying this closer since the removal of timber at the door's top rail will affect the door's integrity.

REL3130 Series - Concealed in Door Mounting



REL.3132 & REL.3133

(consult table of sizes & options - pages 50 - 52)

- Standard **REL.3130** series closer shipped with standard arm, standard track, track roller and wood & machine screw pack
- Sized cylinders **REL.3132** for interior doors to 864mm & **REL.3133** for interior doors to 965mm
- Handed for clockwise (left hand) and anti-clockwise (right hand) closing doors
- For hollow metal or timber doors and frames
- Standard or optional custom powder coated finish - Optional plated finish on arm and fasteners

Concealed Mounting

For interior doors only. Single acting cylinder and arm in door top rail. Concealed track in head frame.

Maximum Opening

Butt hinge template allows 140° or 100° with the optional bumper installed. Adjustable hold open points from 85° to 100° with the hold open track.

Consult Relcross for all pivot mounted installations.

Butt Hinges should not exceed 127mm in width.

Auxiliary Stop is recommended.

Top Rail minimum 102mm.

Door Thickness minimum 45mm - but check with the door manufacturer to ensure integrity is maintained.

Door Width minimum 660mm.

Standard Finish - US28 powder coated silver.

***US Fire Certification only.**

***UL Listed for labelled doors.**