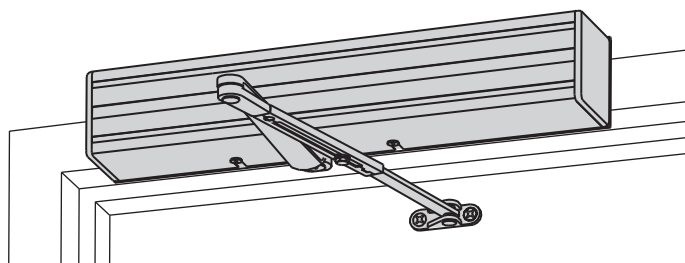


### Type A - Auto Equalizers

#### REL.4820 Series - Top Jamb (Push Side) Mounting

- Standard plate mounted **REL.4820** series closer shipped with regular arm, metal cover and wood & machine screw pack
- Non-sized cylinders (**REL.4822**) for interior doors to 1372mm and exterior (perimeter) doors to 1067mm (**except ST version - consult sales office**)
- Non-handed
- Requires additional system components. See pages 12 & 13 for specifications relating to ACC controllers and compressors
- Standard or optional custom powder coated finish -  
Optional plated finish on arm and fasteners



Series comprises models **REL.4822 & REL. 4826ST**  
(consult table of sizes & options - pages 50 - 52)

#### Surface Mounting

For interior or exterior doors. Single acting cylinder on head frame. Exposed regular arm to door top rail.

#### Maximum Opening

Butt hinge template allows 90° power opening and 100° manual opening.

**Consult Relcross for all pivot mounted installations.**

**Butt Hinges** should not exceed 127mm in width.

**Auxiliary Stop is recommended.**

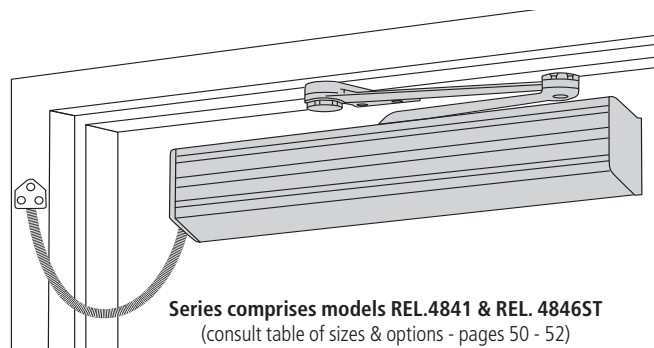
**Head Frame** minimum 44mm for mounting plate. With flush ceiling use **REL.4820-18G** plate.

**Top Rail** minimum 44mm (76mm with **REL.4820-18G** plate).

**Standard Finish** - US28 powder coated silver.

**UK Fire Certification** in accordance with EN 1634-1:2000 (timber) WFR No. 142058 **120 mins.**

#### REL.4840 Series - Parallel Arm (Push Side) Mounting



Series comprises models **REL.4841 & REL. 4846ST**  
(consult table of sizes & options - pages 50 - 52)

- Standard plate mounted **REL.4840** series closer shipped with **EXTRA DUTY** arm, metal cover and wood & machine screw pack
- Installation requires the transfer of air across the hinge line -use **REL.ARM** door loop or **REL.PNT-1** power transfer device (See page 13)
- Non-sized cylinders (**REL.4841**) for interior doors to 1372mm and exterior (perimeter) doors to 1067mm (**except ST version - consult sales office**)
- Non-handed
- Requires additional system components. See pages 12 & 13 for specifications relating to ACC controllers and compressors
- Standard or optional custom powder coated finish -  
Optional plated finish on arm and fasteners

#### Surface Mounting

For interior or exterior doors. Single acting cylinder on push side face of door. Exposed parallel arm to underside of reveal.

#### Maximum Opening

Butt hinge template allows 90° power opening and 105° manual opening (100° with Cush-N-Stop arm).

**Consult Relcross for all pivot mounted installations.**

**Butt Hinges** should not exceed 127mm in width.

**Auxiliary Stop is recommended.**

**Head Frame** (flush) requires PA shoe adaptor **REL.4840-418** (as **REL.4110-418** - See page 38)

**Top Rail** minimum 105mm

**Standard Finish** - US28 powder coated silver.