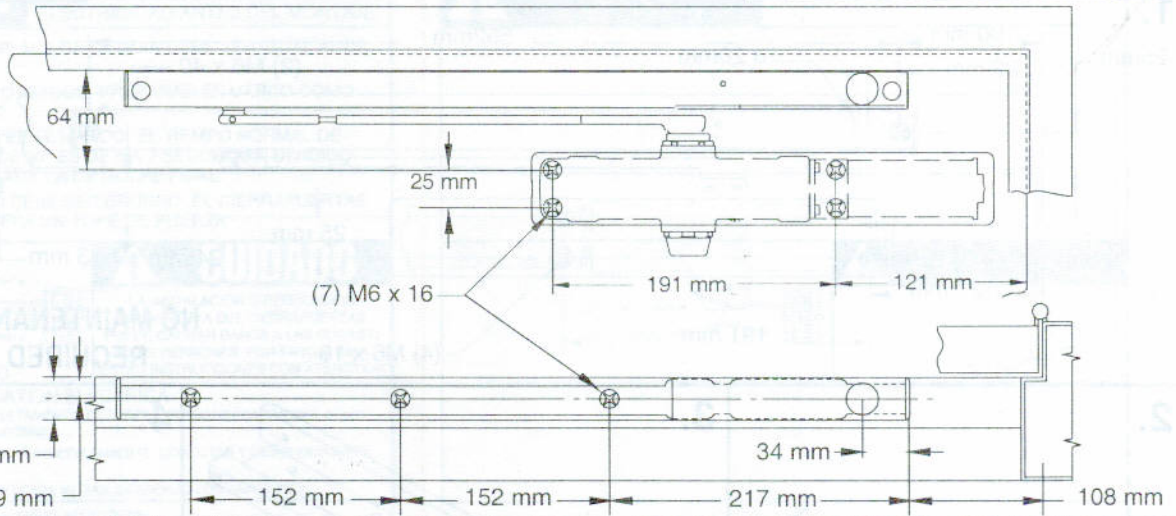
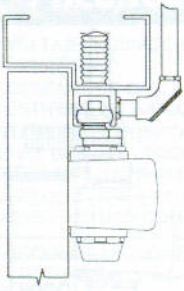
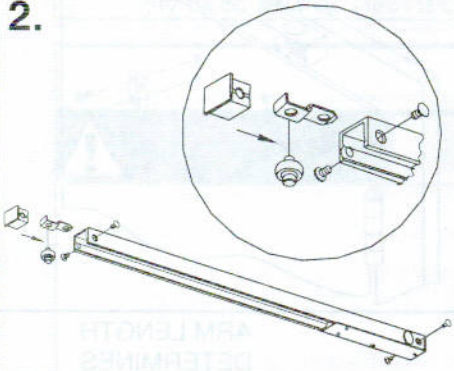


1.

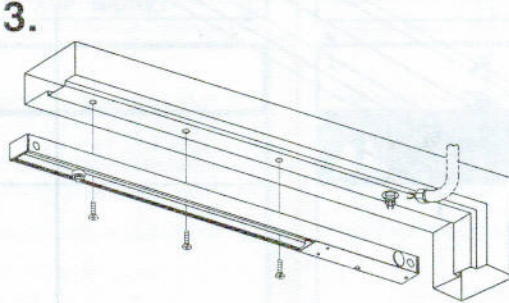


**NO MAINTENANCE  
REQUIRED**

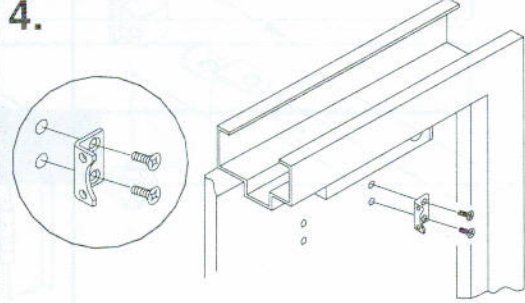
2.



3.

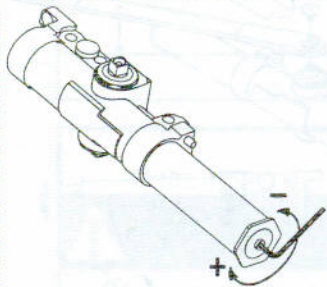


4.

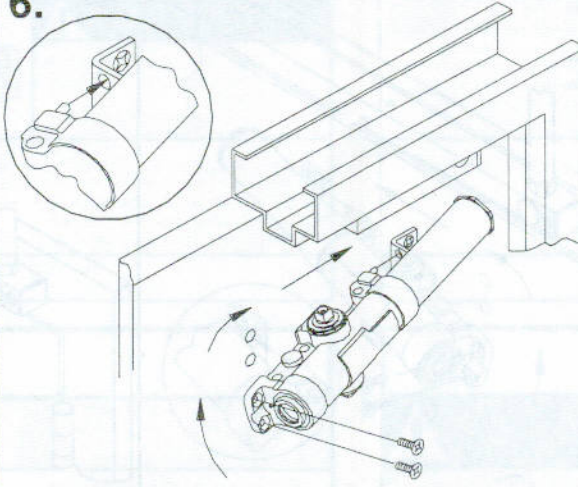


5.

1460 SE	
CLOSER SIZE	FULL TURNS REQ'D.
3	0
4	+8

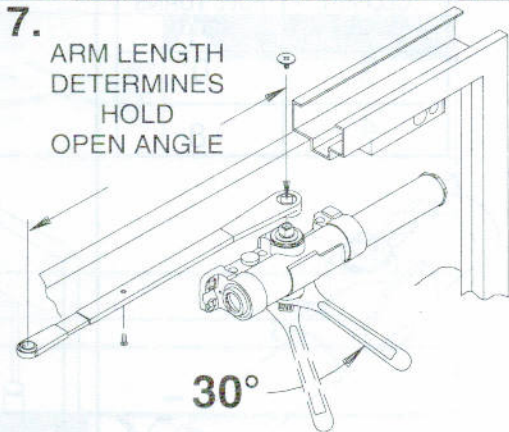


6.

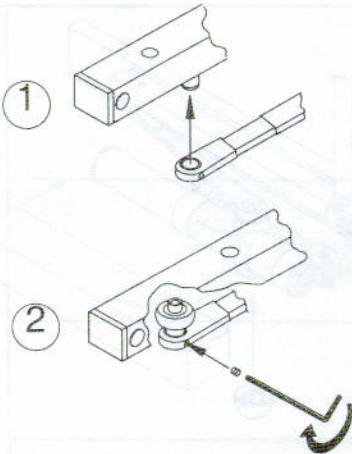


7.

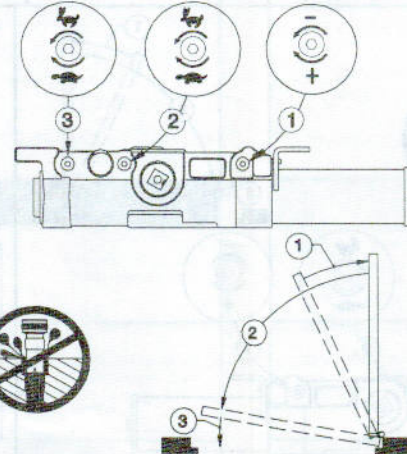
ARM LENGTH  
DETERMINES  
HOLD  
OPEN ANGLE



8.



9.



10.

