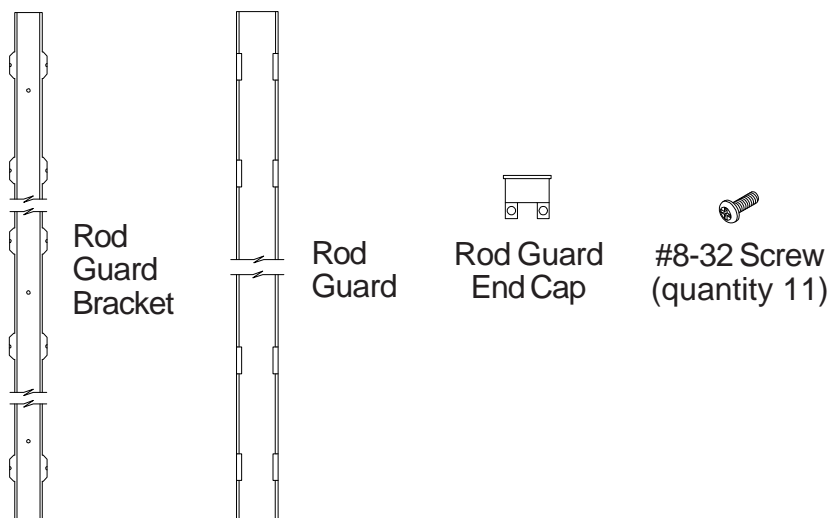


VON DUPRIN®

Installation Instructions

RGO Rod Guard

PARTS

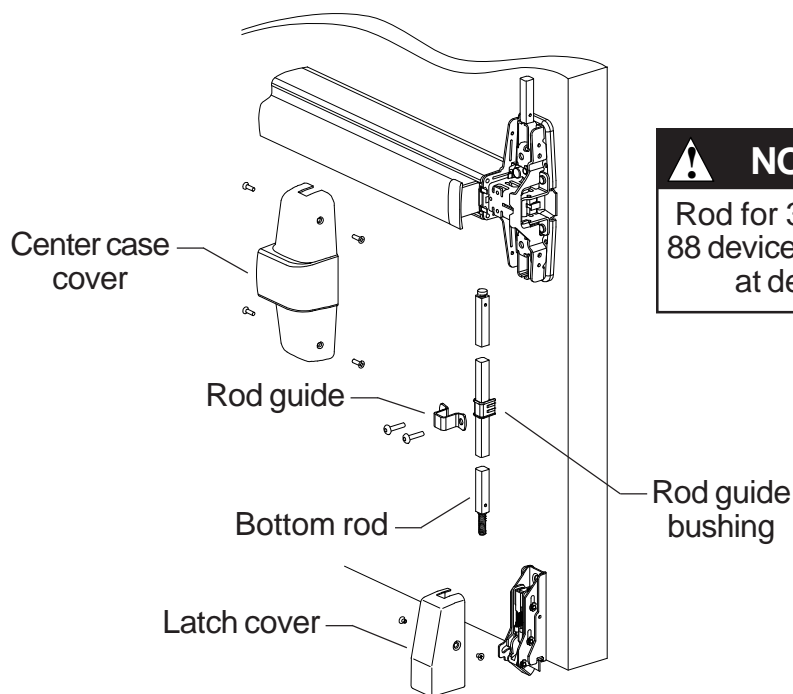


NOTE
For fire door applications, this product can be used on hollow metal and metal-clad composite fire doors only.

NOTE
These instructions show bottom rod guard installation. Use the same procedure to install top rod guard.

INSTALLATION

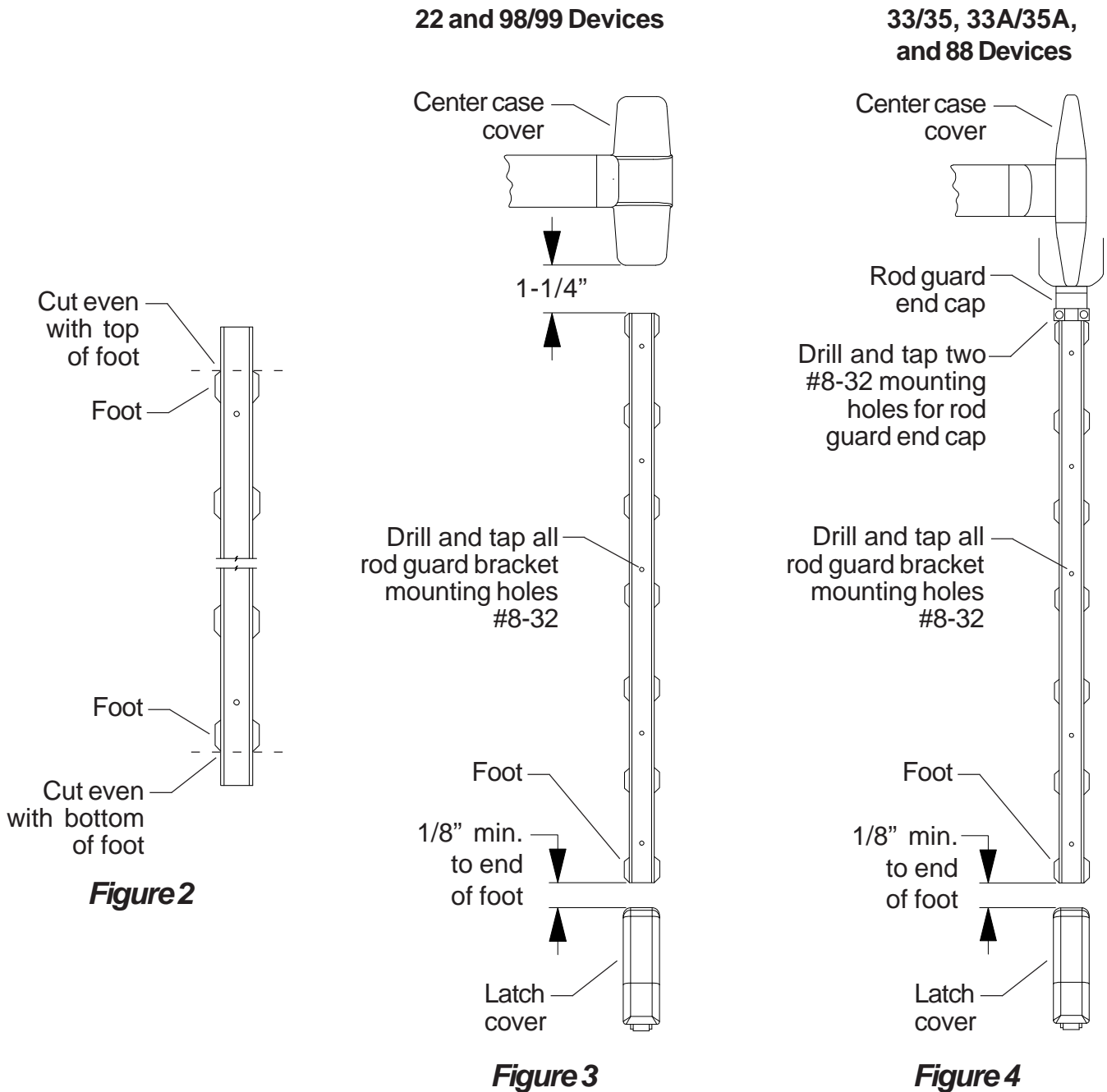
- 1 Remove center case cover, latch cover, rod guide, bottom rod, and rod guide bushing (Figure 1).



NOTE
Rod for 33/35 and 88 device unscrews at device.

Figure 1

- 2 Reinstall center case cover and latch cover.
- 3 Cut rod guard bracket (Figure 2) to clearances shown (Figure 3 or Figure 4).



- 4 Position rod guard bracket on door and mark all mounting holes (Figure 3 or Figure 4).
- 5 Drill and tap #8-32 mounting holes (Figure 3 or Figure 4).
- 6 Install rod guard bracket with #8-32 screws. Do not install rod guard end cap at this time.

7 Measure dimension X (Figure 5 or Figure 6).

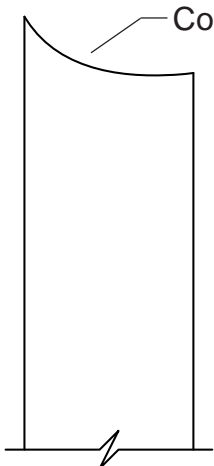
8 Cut rod guard to length:

Device	Length
22	$X - 1/16''$
33/35	$X - 1/8''$
88	X
98/99	$X - 1/16''$
33A/35A	$X - 1/8''$

NOTE

For 22 and 98/99 devices, do not cut contoured end of rod guard.

For 33/35, 33A/35A, and 88 devices, cut contoured end of rod guard.



Side view of rod guard showing contoured end

22 and 98/99 Devices

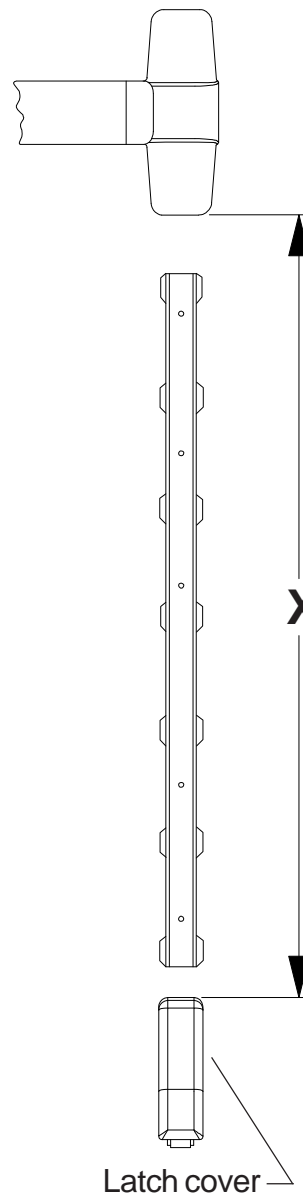


Figure 5

33/35, 33A/35A, and 88 Devices

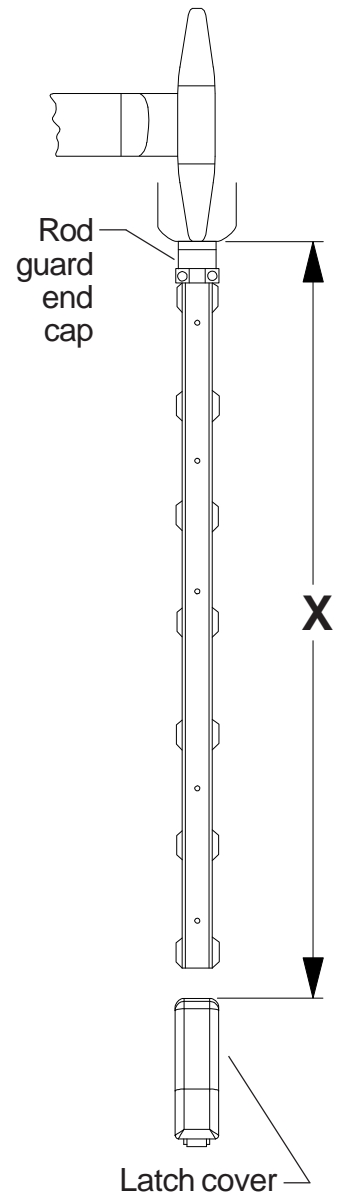


Figure 6

9 Remove center case cover and latch cover.

10 Reinstall rod and adjust rods per device instructions.

11 Reinstall center case cover. Do not reinstall latch cover at this time.

12 For 33/35, 33A/35A, and 88 devices, install rod guard end cap over rod with two #8-32 screws (Figure 6).

- 13 Place rod guard over rod guard bracket on door 1-1/2" away from center case cover with cut end of rod guard toward latch (Figure 7). Push rod guard towards device so tabs on rod guard slide under tabs on rod guard bracket.
- 14 Hold rod guard in place and tap lightly with a hammer until rod guard touches center case cover (Figure 8).
- 15 Reinstall latch cover.

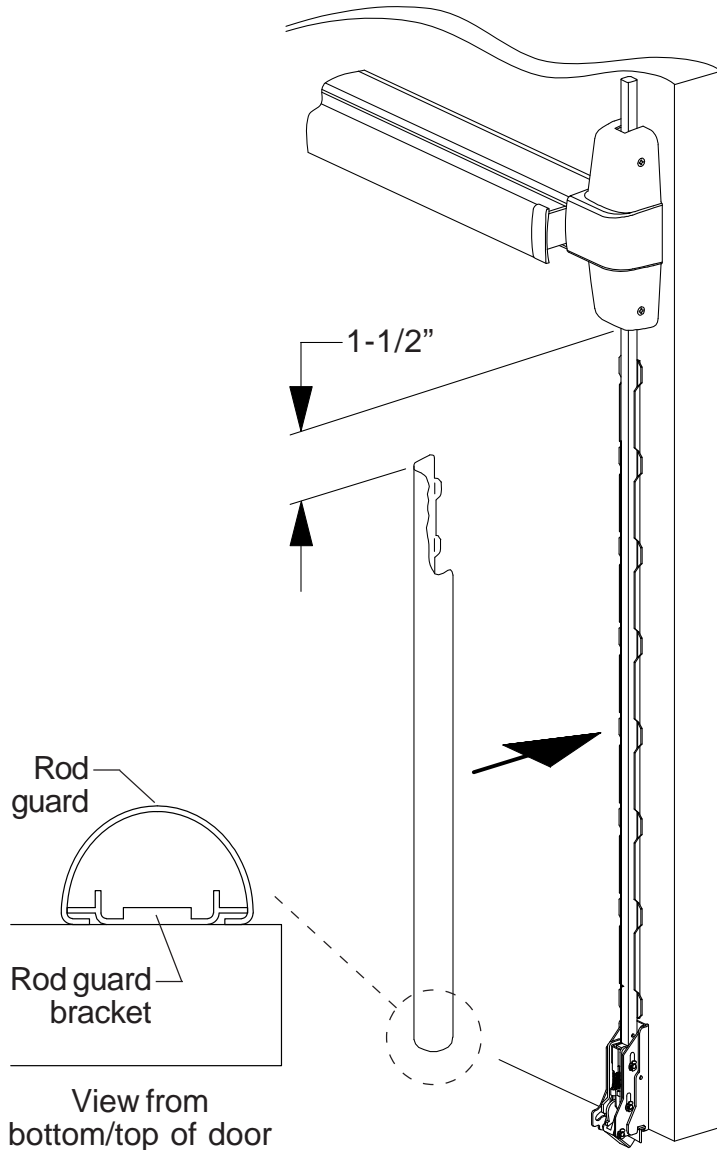


Figure 7

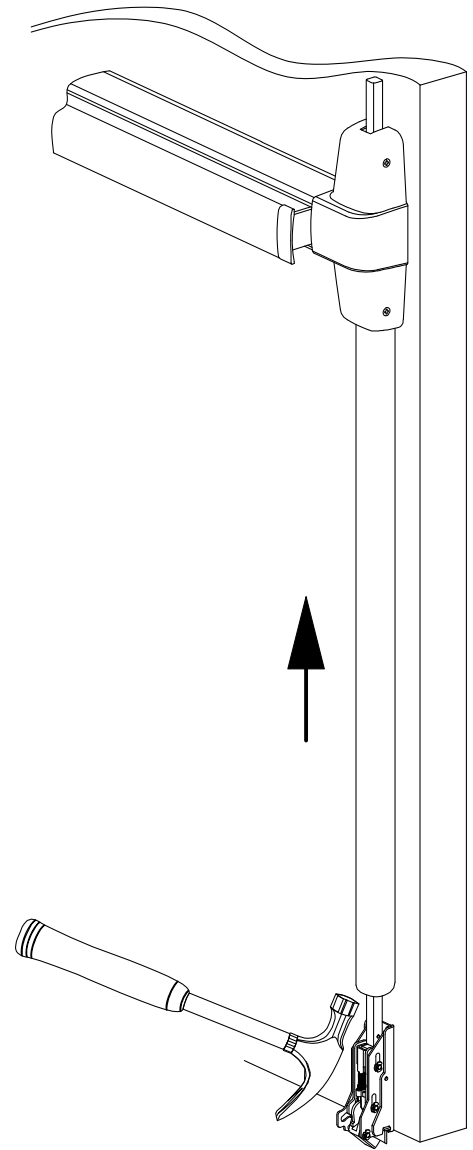


Figure 8