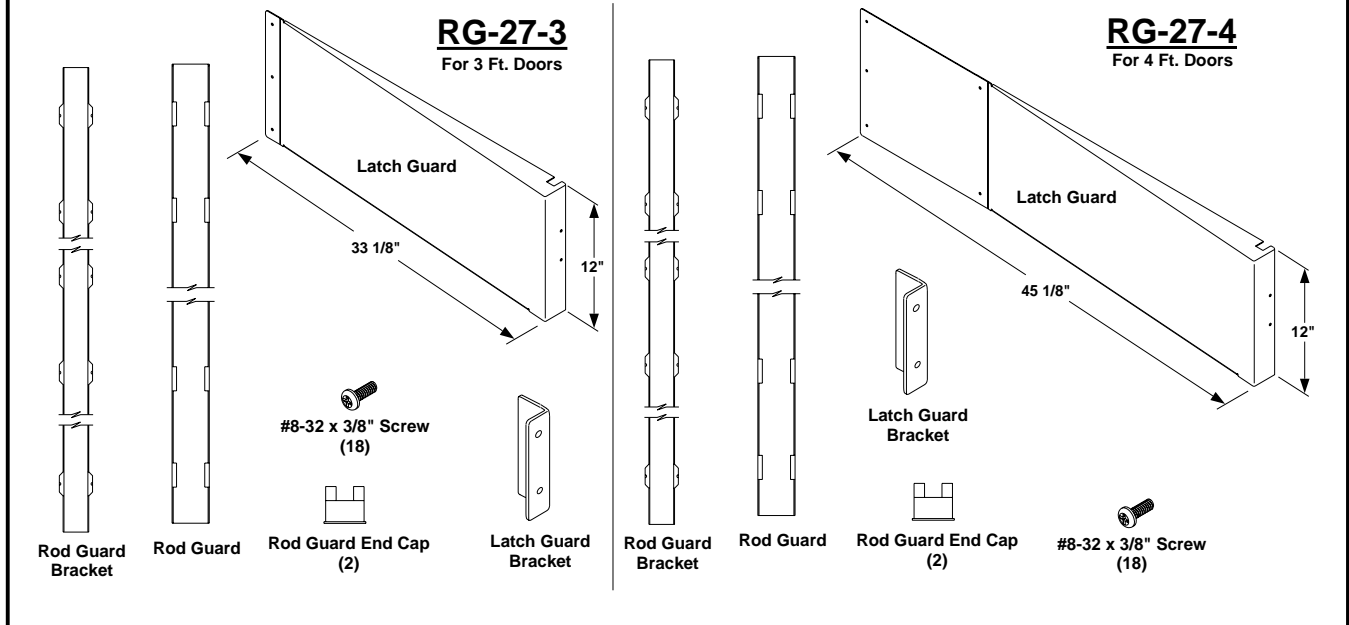


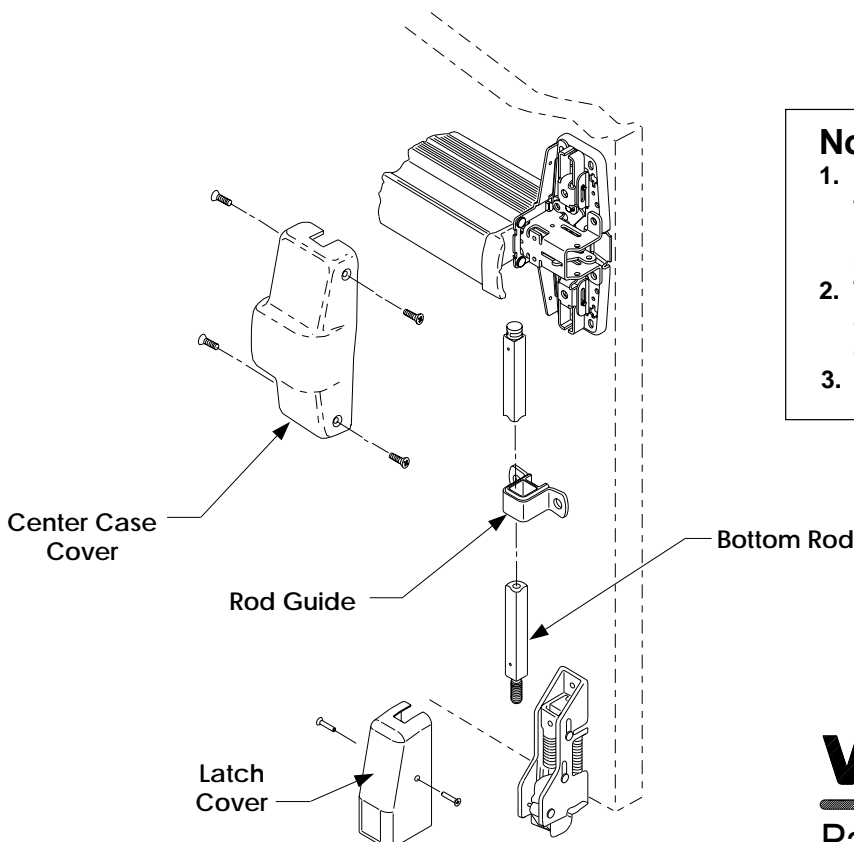
# INSTALLATION INSTRUCTIONS

## LATCH & ROD GUARDS RG-27-3/RG-27-4

This assembly includes the following parts:



**Step 1** Remove Center Case Cover, Rod Guide Cover, Rod Guide, Latch Cover and Bottom Rod.



### Notes:

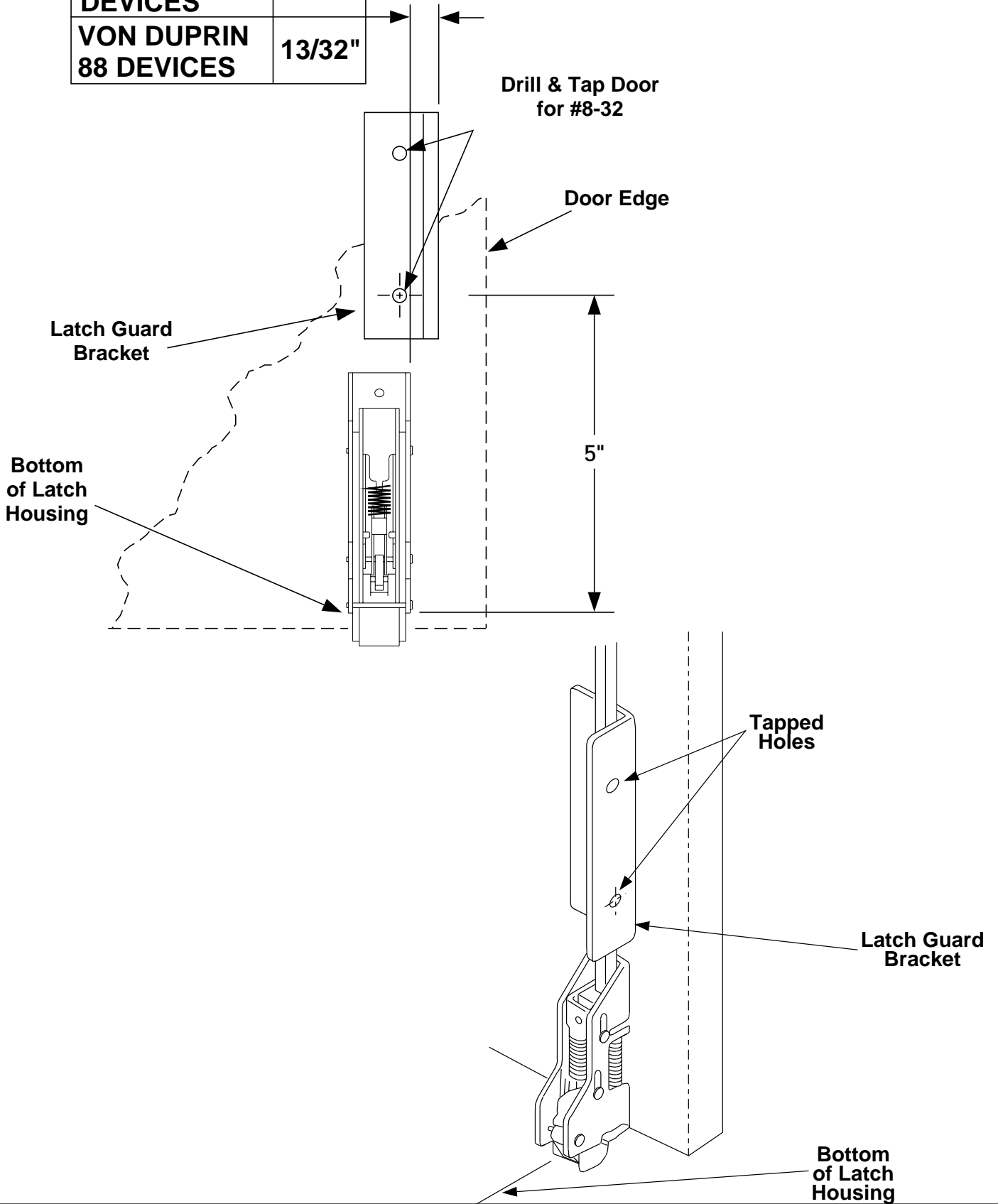
1. For Fire Door applications, this product can be used on hollow metal or metal clad composite fire doors only.
2. This latch guard will cover a bottom latch that projects as far as 1 13/16" from the door.
3. RHR shown, LHR opposite.

# VON DUPRIN

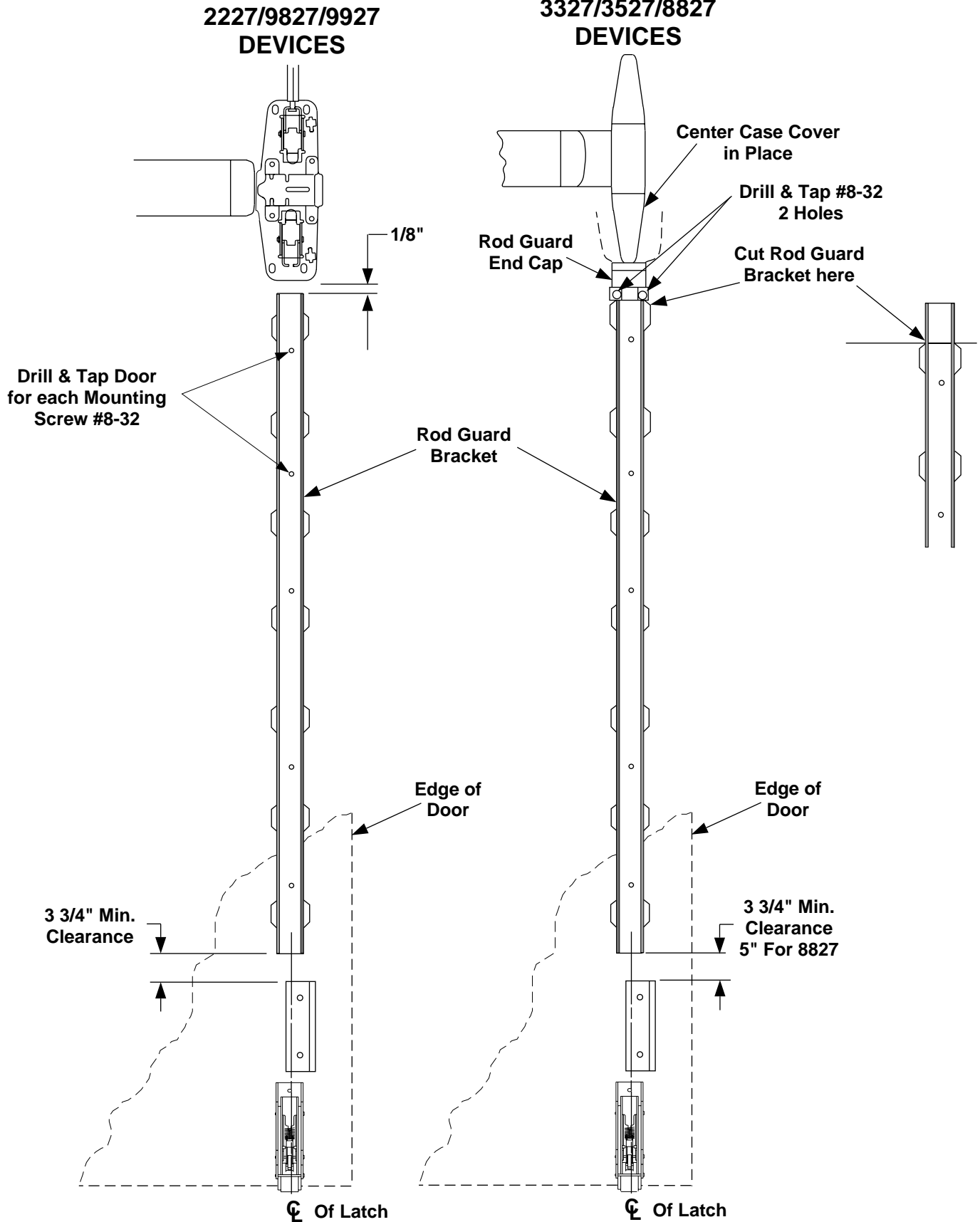
Part of worldwide Ingersoll-Rand

**Step 2** Locate and install Latch Guard Bracket. Use the bracket as a template for drilling holes.

|  |               |
|--|---------------|
| <b>VON DUPRIN<br/>22/33/35/98/99<br/>DEVICES</b> | <b>9/32"</b>  |
| <b>VON DUPRIN<br/>88 DEVICES</b>                 | <b>13/32"</b> |



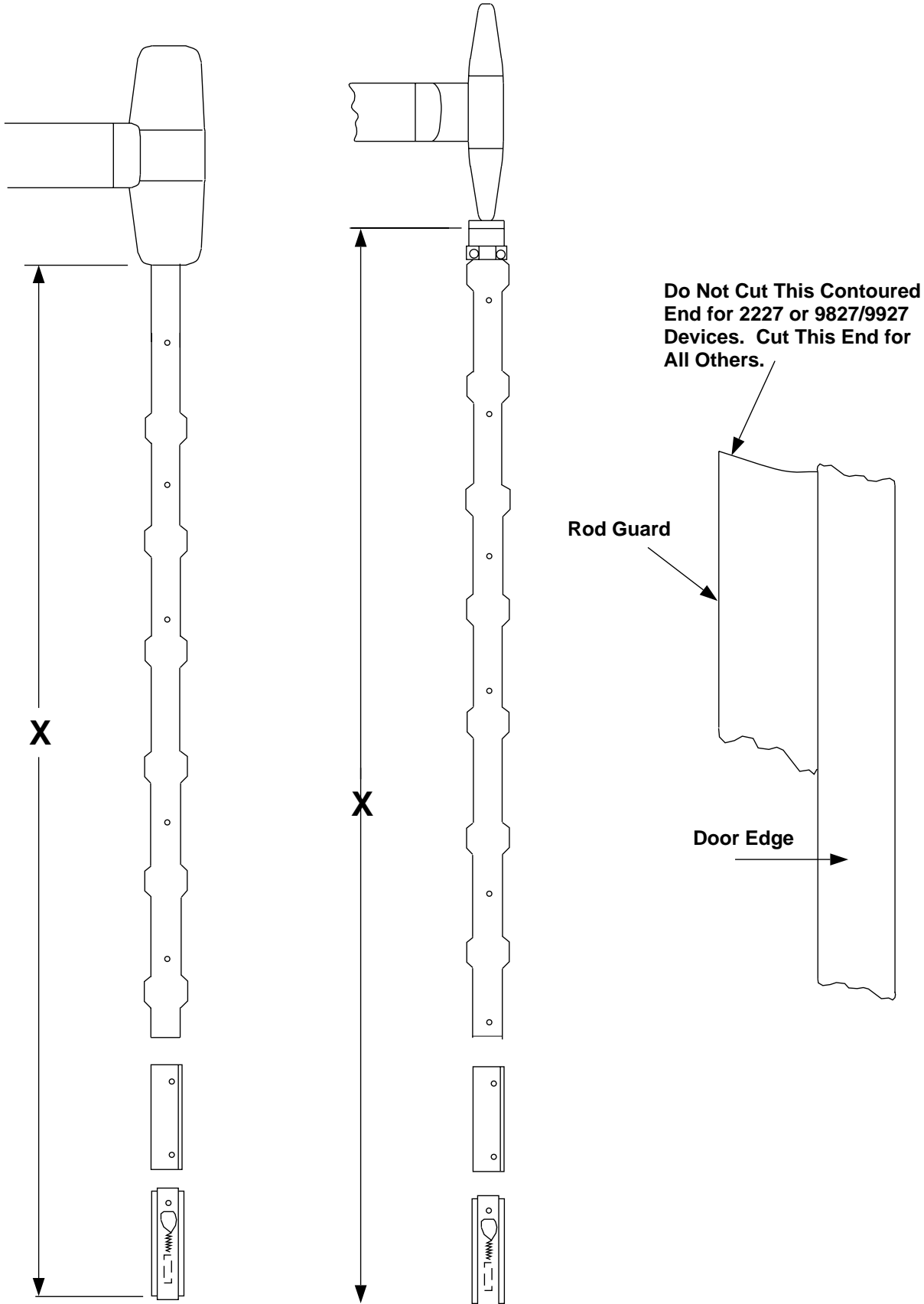
**Step 3** For 2227 and 9827/9927 devices, cut Rod Guard Bracket to proper length & install along vertical centerline of device.



**Step 4** Cut Rod Guard to size. Measure distance "X" *with the Center Case covers* in place and cut Rod Guard 12" shorter. Cut 12 1/16" shorter for 8827 devices. Remove Center Case covers and Rod Guard End Cap (if applicable) after measurements are complete.

**2227/9827/9927**

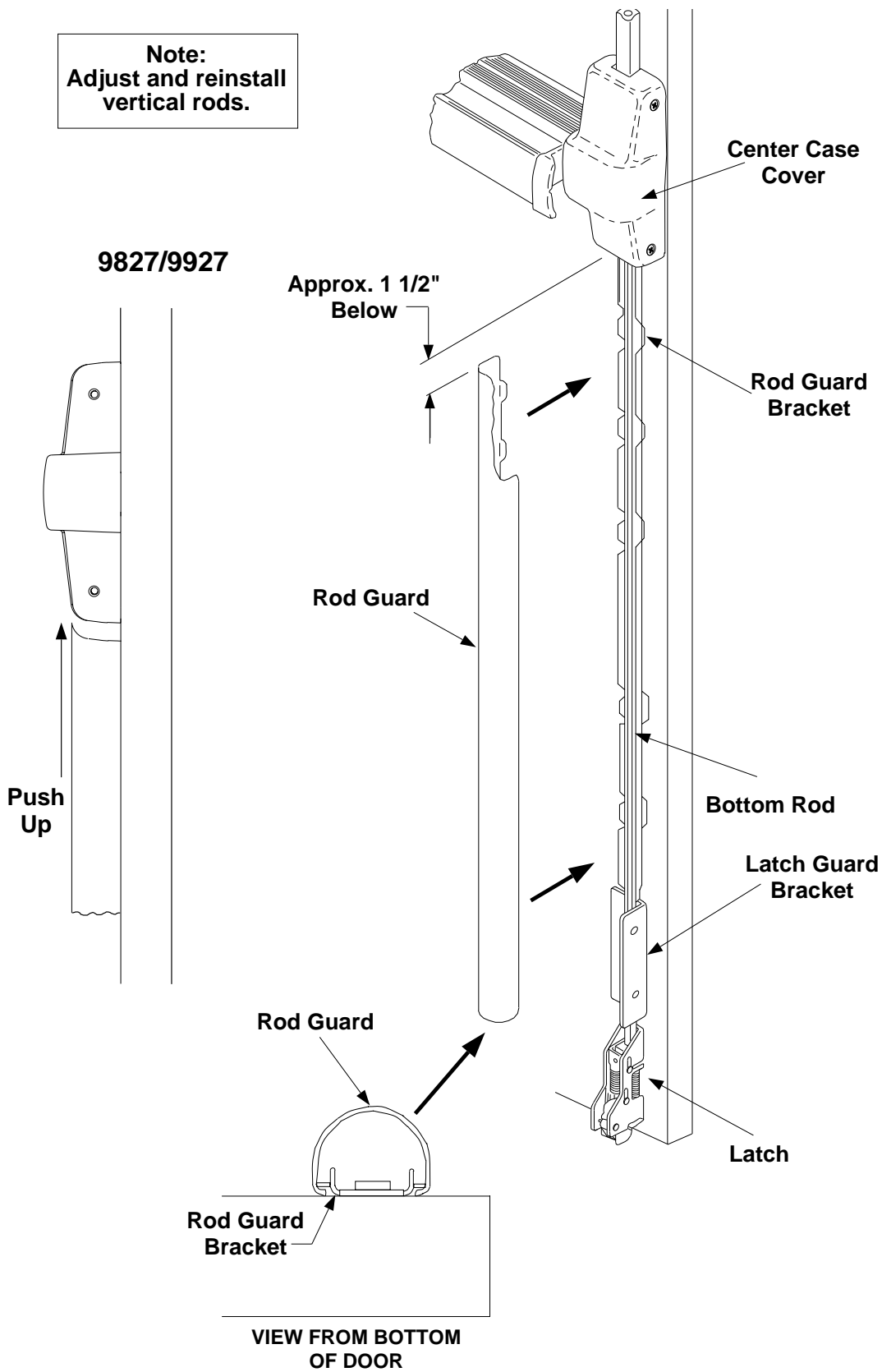
**3327/3527/8827**



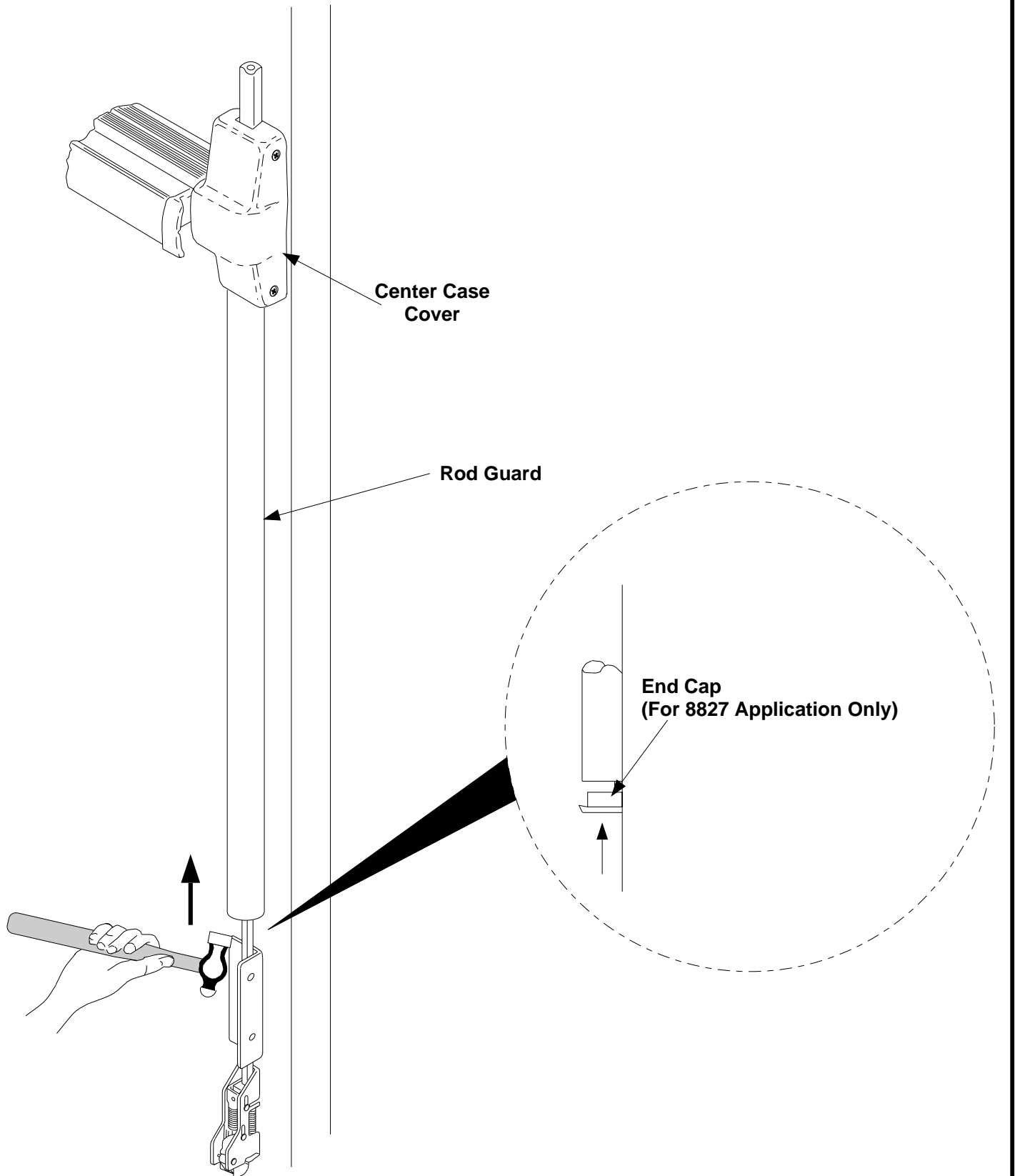
# Step 5

Reinstall bottom Rod and Center Case Cover. For 3327, 3527 & 8827 devices, reinstall Rod Guard End Cap over Rod as shown in Step 3. Lay Rod Guard on door and push it upward toward device.

**Note:**  
Adjust and reinstall  
vertical rods.



**Step 6** While holding Rod Guard in place, tap it lightly with a hammer until it meets the device Center Case. For 8827 devices, slide additional End Cap inside Rod Guard & hold until Latch Guard is installed.



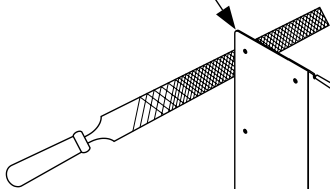
**Step 7** Modify 4 ft. Latch Guard for door widths between 3 and 4 feet. If cutting is not necessary, skip to Step 8.

Cut along line

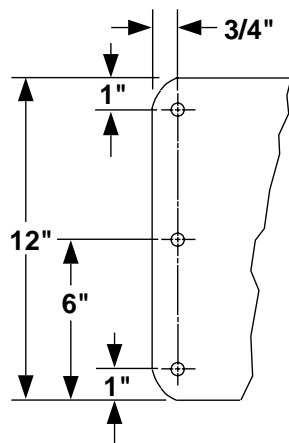


LENGTH = Door Opening Width minus 2 7/8"

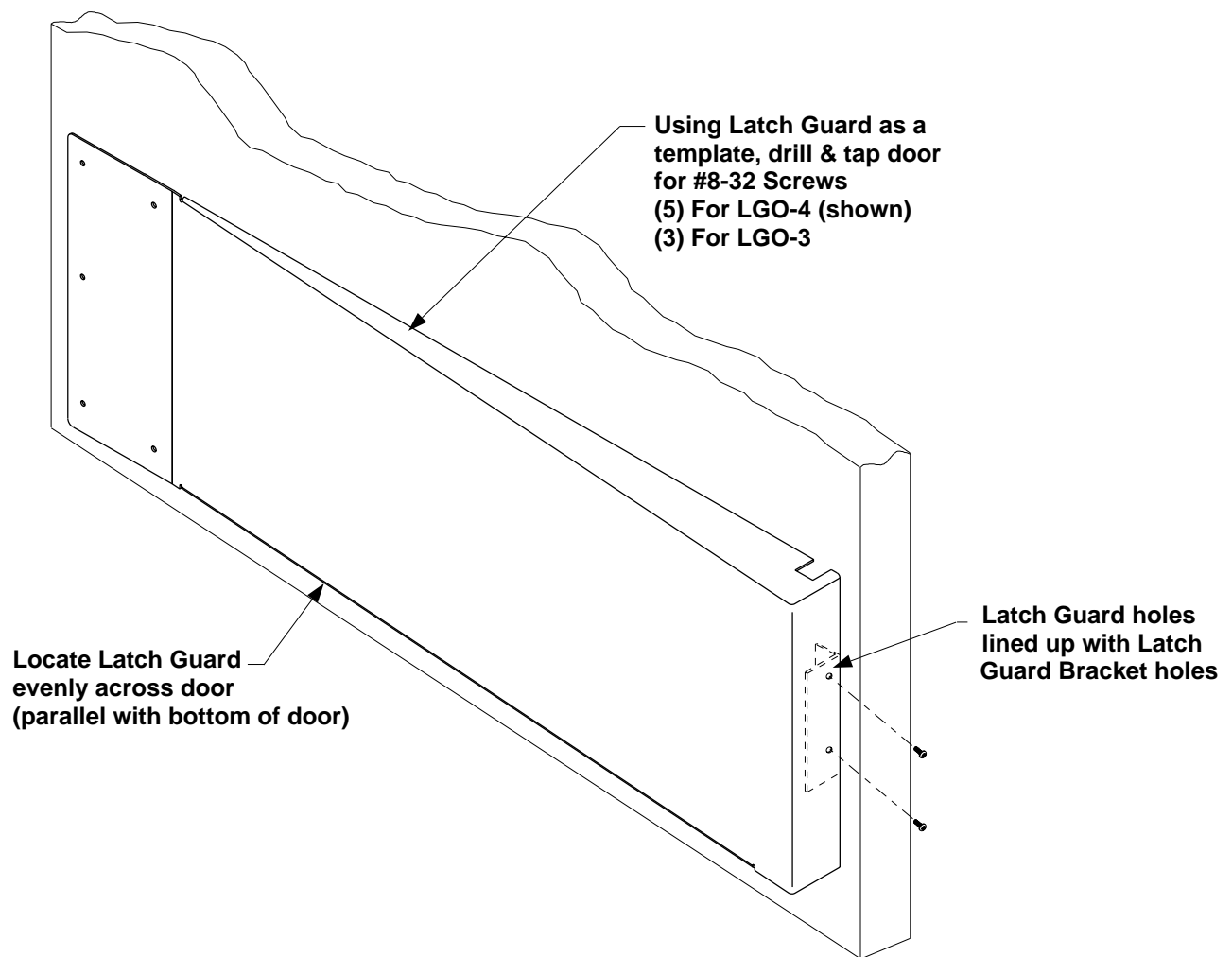
Deburr and round edges



Drill 3/16"  $\varnothing$  holes  
3 places



**Step 8** Locate Latch Guard and prep door.



**Step 9** Install Latch Guard.

