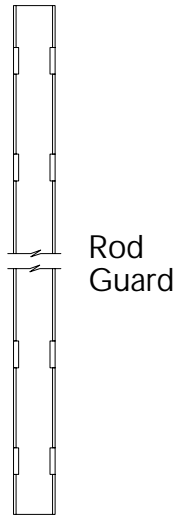
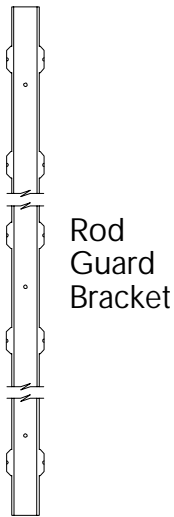


# VON DUPRIN®

## Installation Instructions

### RG-27 Rod and Latch Guard

#### PARTS



#8-32 Screw  
(quantity 16)

Rod Guard  
End Cap  
(quantity 2)



Latch  
Guard  
Bracket



#### NOTE

This latch guard will cover a bottom latch that projects as far as 1-13/16" from the door.

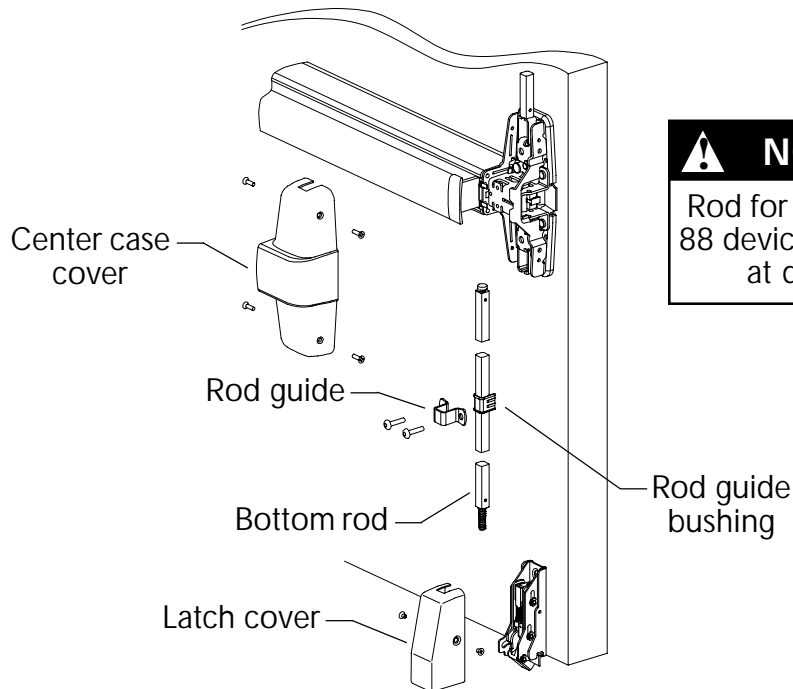


#### NOTE

For fire door applications, this product can be used on hollow metal and metal-clad composite fire doors only.

#### INSTALLATION

- 1 Remove center case cover, latch cover, rod guide, bottom rod, and rod guide bushing (Figure 1).



#### NOTE

Rod for 33/35 and 88 device unscrews at device.

Figure 1

- 2 For 33/35, 33A/35A devices only, reinstall center case cover.
- 3 Locate and install latch guard bracket with two #8-32 screws (Figure 2 and Figure 3).

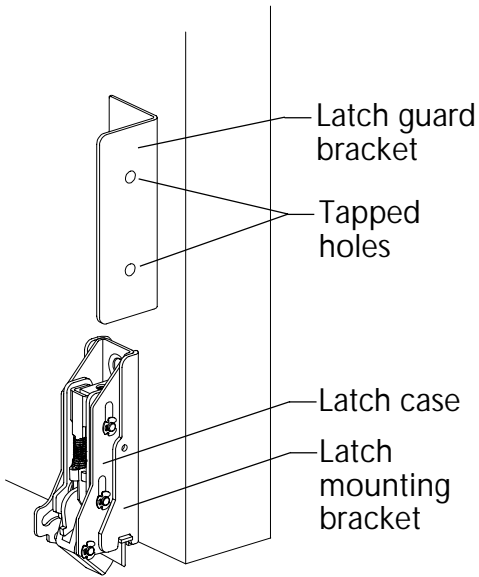


Figure 2

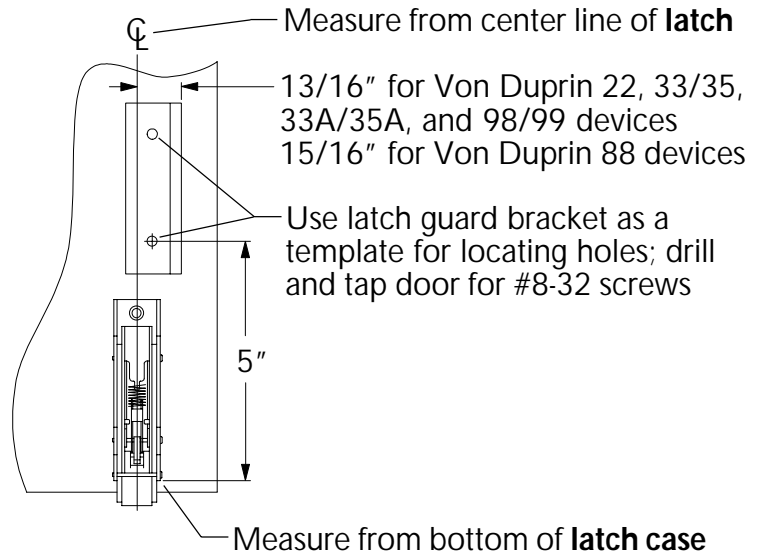


Figure 3

- 4 Cut rod guard bracket to clearances shown (Figure 4 or Figure 5).

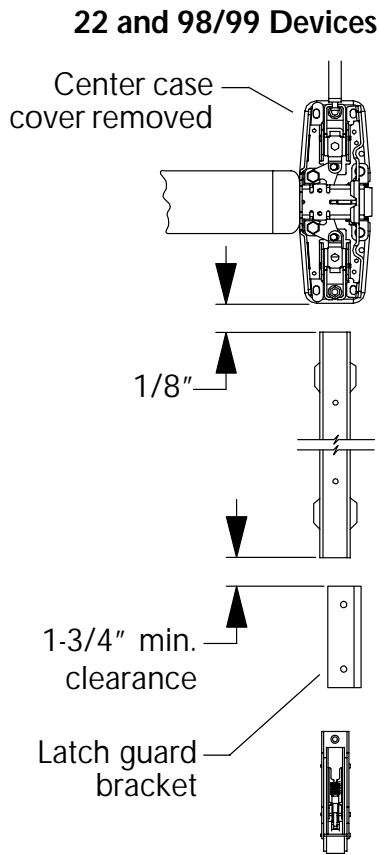


Figure 4

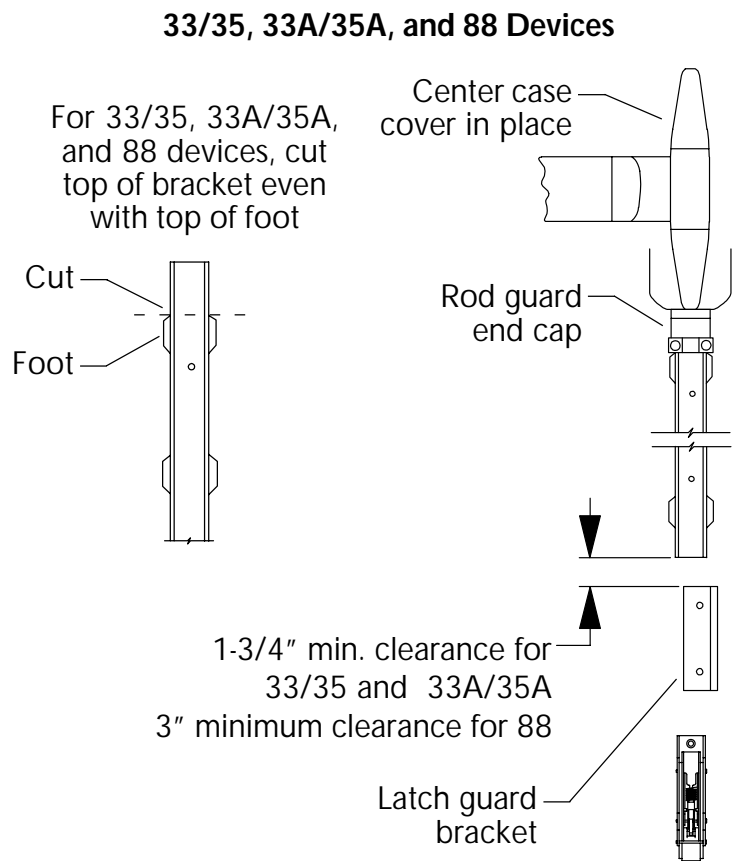
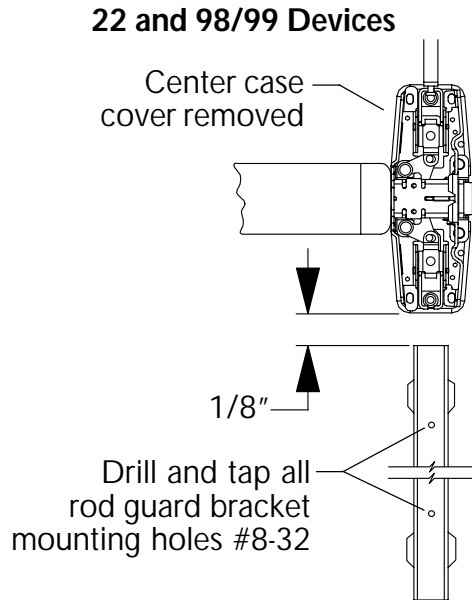
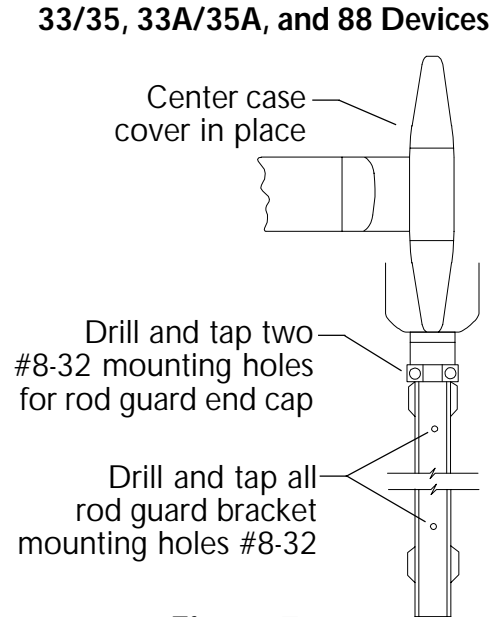


Figure 5

- 5 Position rod guard bracket on door and mark all mounting holes (Figure 6 or Figure 7).
- 6 Drill and tap #8-32 mounting holes.
- 7 Install rod guard bracket with #8-32 screws. Do not install rod guard end cap at this time.



**Figure 6**



**Figure 7**

- 8 For 22 and 98/99 devices, reinstall center case cover.
- 9 Measure dimension **X** (Figure 8 or Figure 9).
- 10 Cut rod guard:
  - Cut 10" shorter than **X** (22, 33/35, 33A/35A, and 98/99 devices).
  - Cut 10-1/16" shorter than **X** (88 devices).

**NOTE**

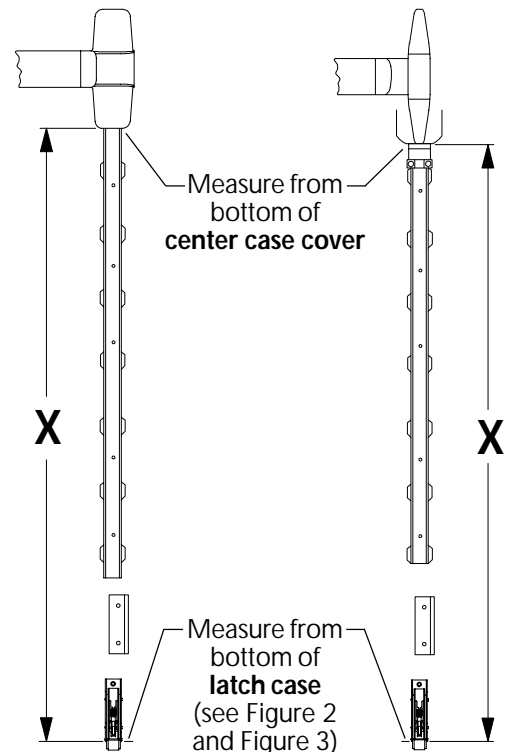
For 22 and 98/99 devices, do not cut contoured end of rod guard.

For 33/35, 33A/35A, and 88 devices, cut contoured end of rod guard.

Side view of rod guard showing contoured end

**22 and 98/99 Devices**

**33/35, 33A/35A, and 88 Devices**



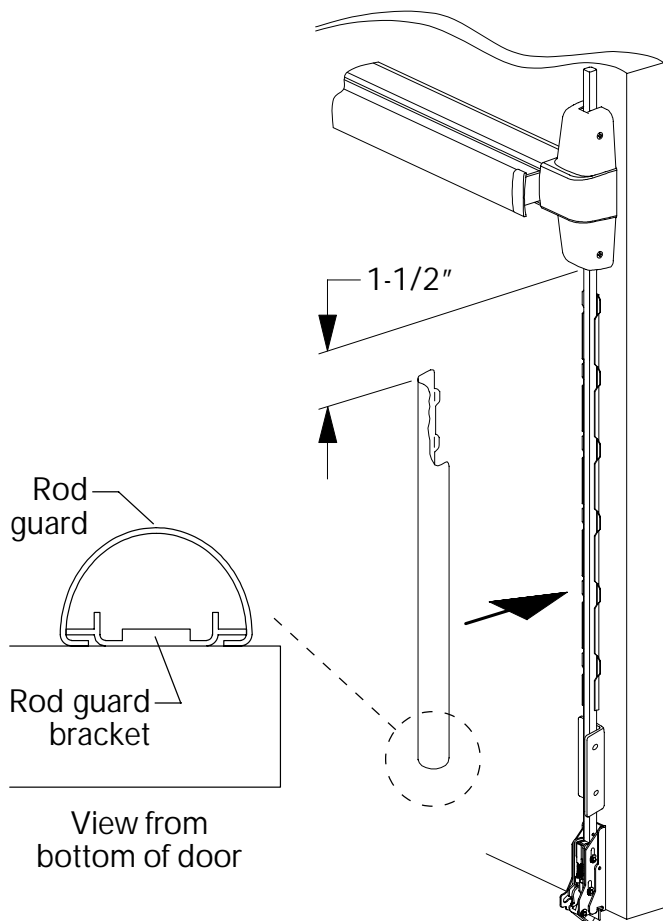
**Figure 8**

**Figure 9**

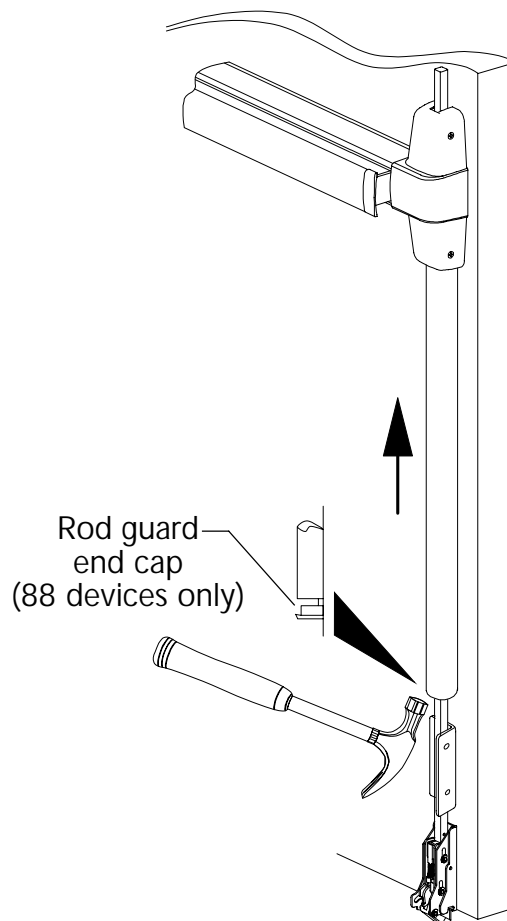
- 11 Remove center case cover, install rod, adjust rods per device instructions, and reinstall center case cover.
- 12 For 33/35, 33A/35A, and 88 devices, install rod guard end cap over rod with two #8-32 screws (Figure 7).

**13** Place rod guard over rod guard bracket on door 1-1/2" below center case cover with cut end of rod guard toward latch (Figure 10). Push rod guard towards device so tabs on rod guard slide under tabs on rod guard bracket.

**14** Hold rod guard in place and tap lightly with a hammer until rod guard touches center case cover (Figure 11). Install rod guard end cap for 88 devices only.

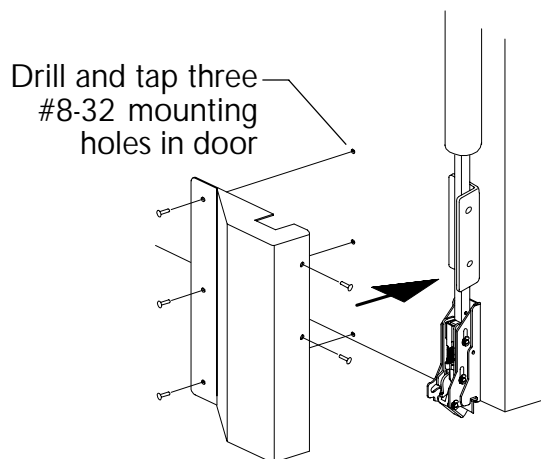


**Figure 10**



**Figure 11**

**15** Drill and tap door for #8-32 screws and install latch guard with five #8-32 screws (Figure 12).



**Figure 12**