

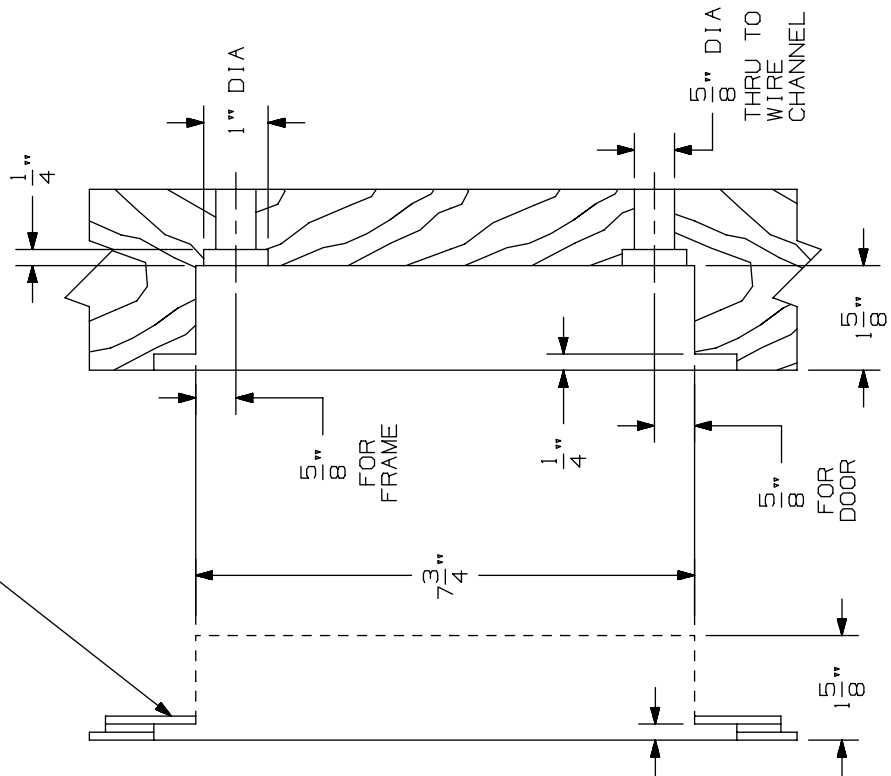
CL OF EPT IN FRAME MUST ALIGN WITH CL OF EPT IN DOOR

RECOMMENDED 6" BELOW UPPER HINGE
 NOTE: FOR WOOD FIRE DOORS, CONSULT DOOR MANUFACTURER FOR APPROVED LOCATION.

7" FROM OUTSIDE FACE OF DOOR

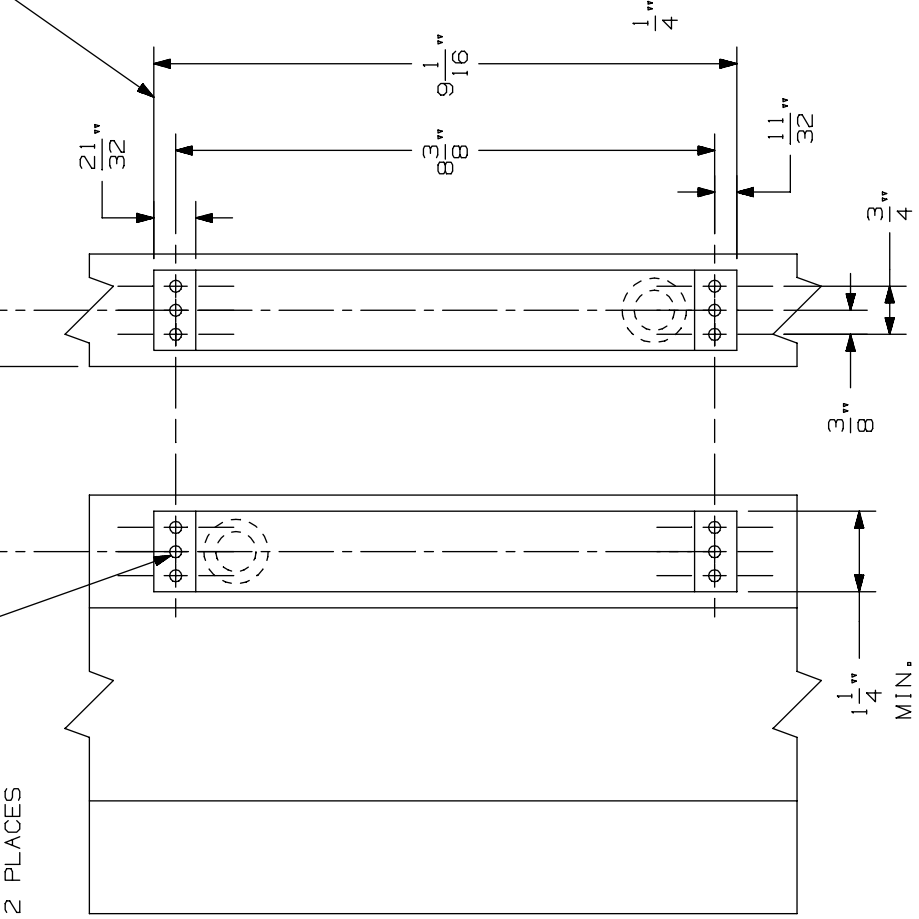
3 3/4" MAX. WHEN INSTALLED

WOOD: HOLES PREPARED DURING INSTALL.
 METAL: #10-24 TAPPED HOLE 12 PLACES



WOOD DOOR OR FRAME (SIDE VIEW)

METAL DOOR OR FRAME (SIDE VIEW)



DOOR (OPEN 180°)

FRAME

* ALL DIMENSIONS ARE TYPICAL

Power Transfer Unit
 EPT2, EPT10, & PNT 1

VON DUPRIN®

NOTES: SEE MASTER SHEET #10001 FOR SUGGESTED REINFORCING

TEMPLATE NUMBER:

40250_a

DATE:
 05-28-13