

# VON DUPRIN® Installation Instructions

## LX/LX-LC Switch Retrofit Kit

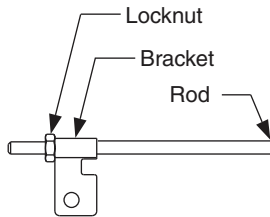
This kit includes the following parts:

**LX**

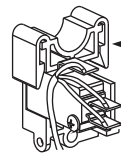
This switch is intended for signaling purposes only and is rated for a maximum 2 ampere resistive load at 24VDC/AC. Use with inductive or capacitive loads (magnetic locks or solenoid devices) derates the capacity of the switch. Consult the factory for assistance.

**LX/LC**

This switch is intended for systems using low current signals. The switch is rated for a maximum of 50mA. Consult the factory for assistance.



Rod & Bracket Assembly



Standard (LX)  
or low current (LX-LC)

8-18 X 3/8" FPHSMS

LX Actuator

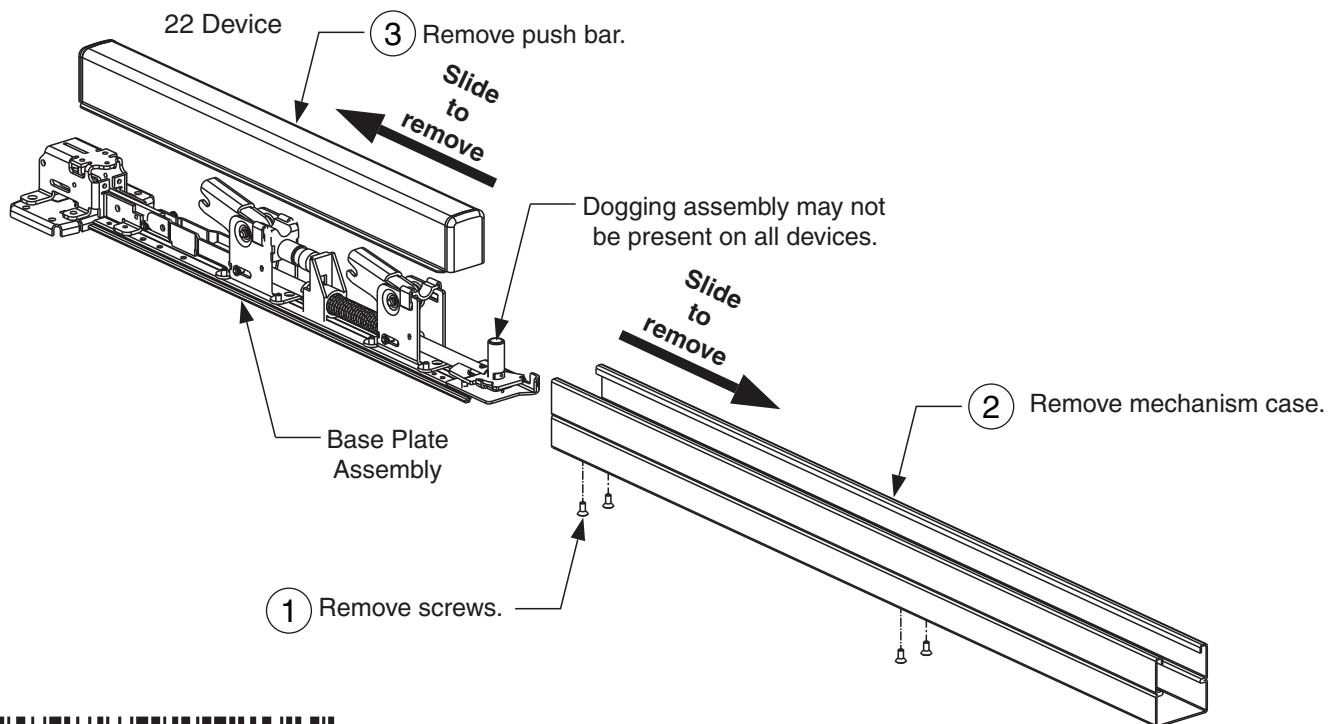
Switch Assembly

Nylon Fastener

Cable Tie 1.5"

Snap Ring

### Step 1 Disassemble the device. (Remove from door if mounted.)



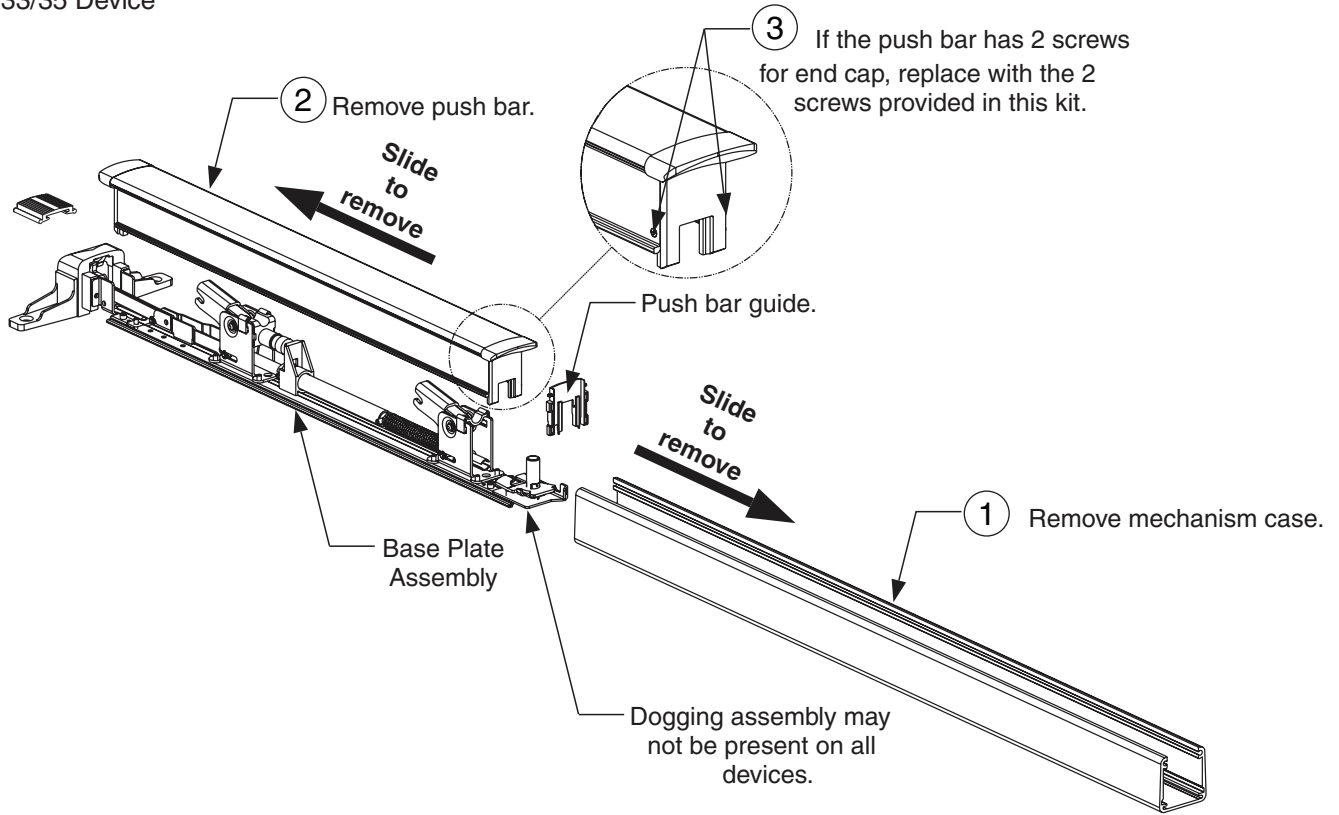
941039-00

**IR** Ingersoll Rand  
Security Technologies

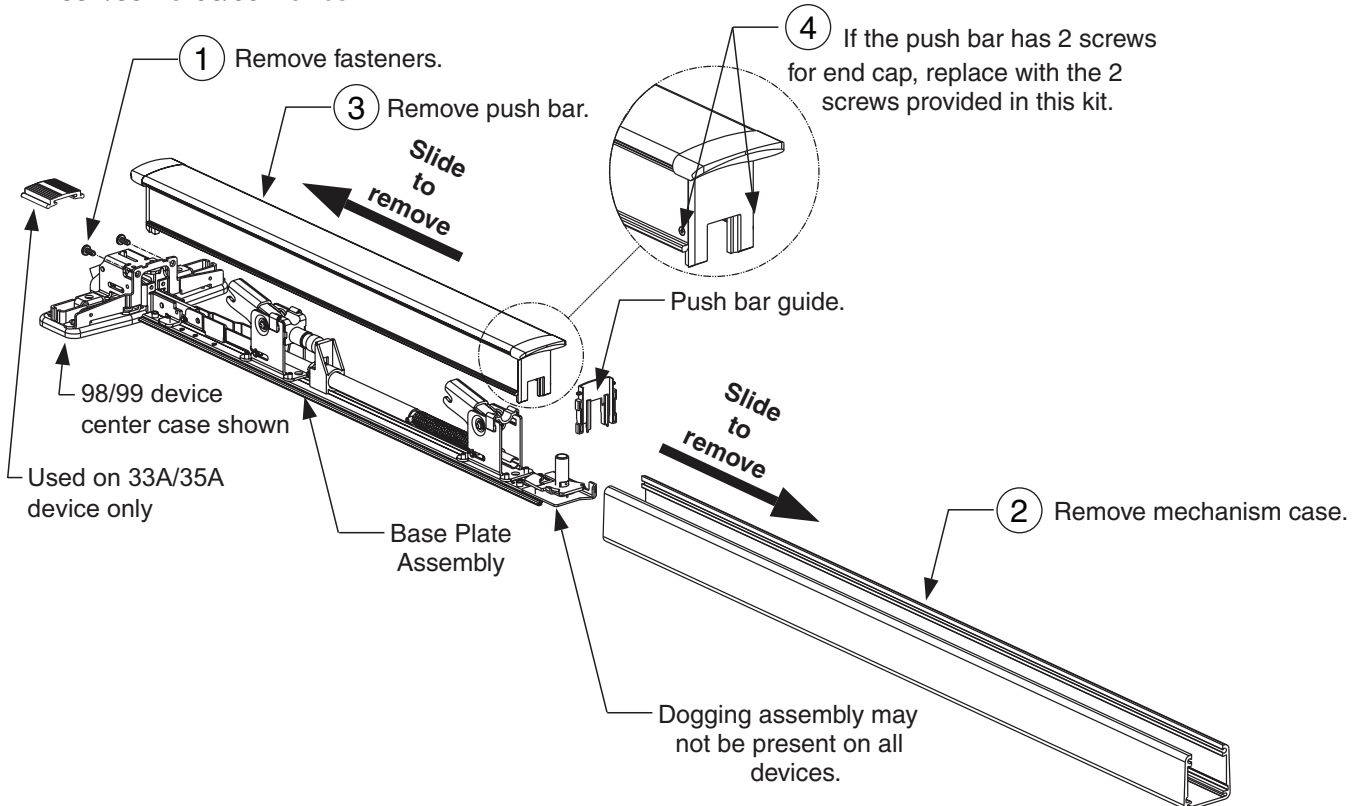
# Step 1 continued

Disassemble the device. (Remove from door if mounted.)

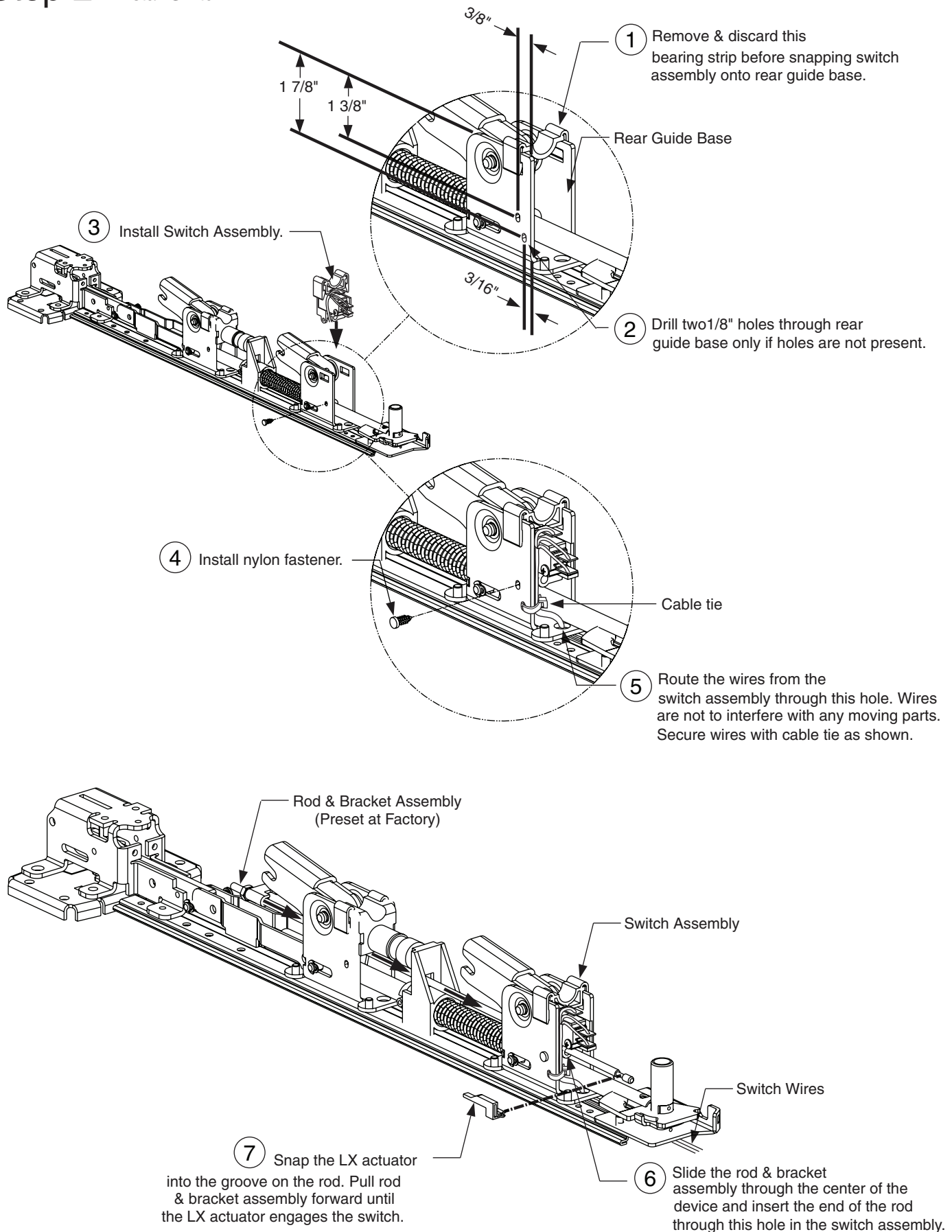
33/35 Device



33A/35A & 98/99 Device

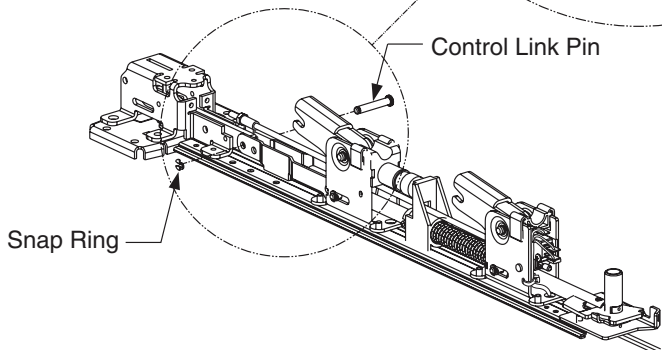
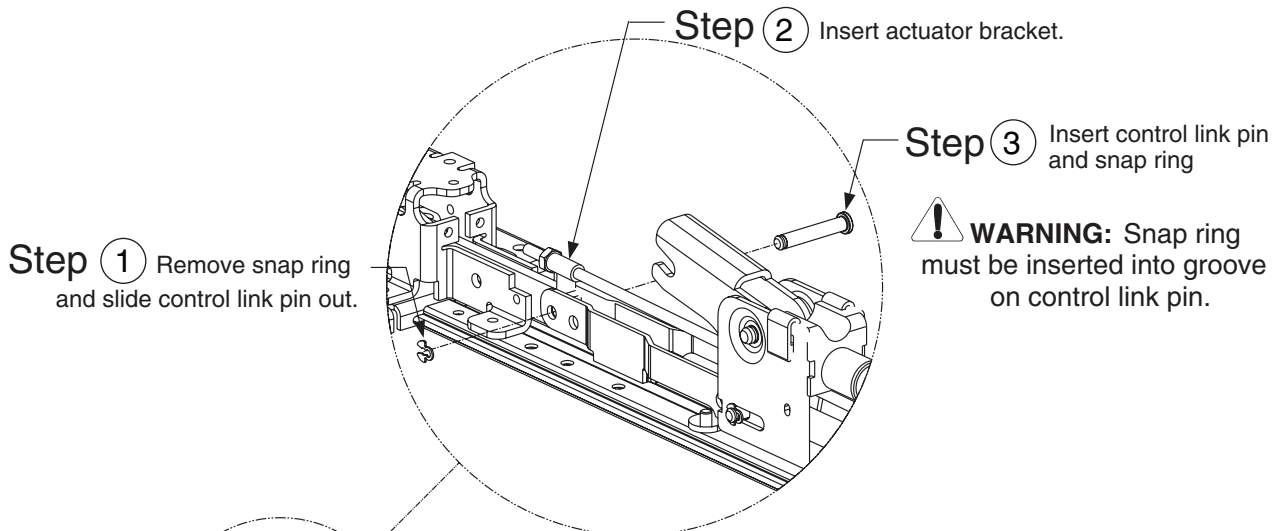
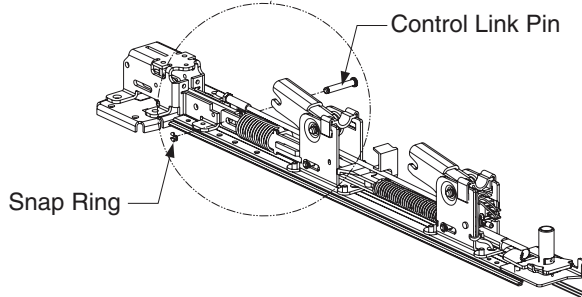
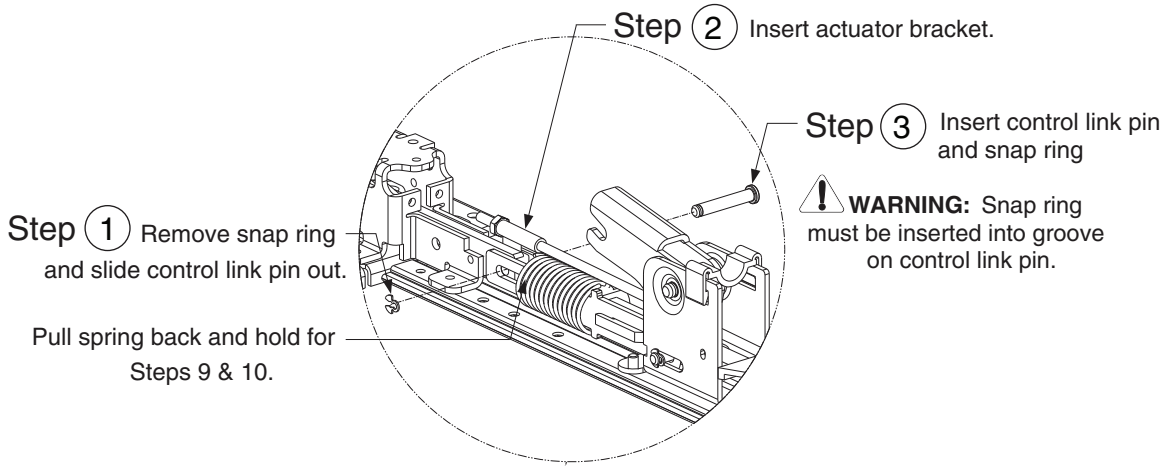


## Step 2 Install Switch

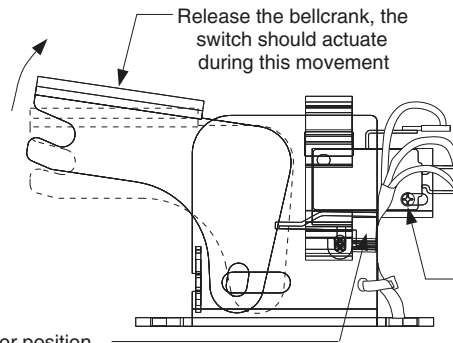
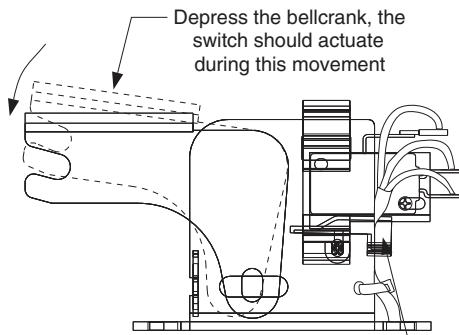


# Step 3 Attach rod

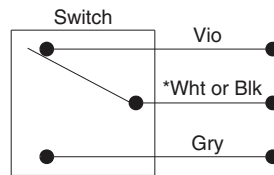
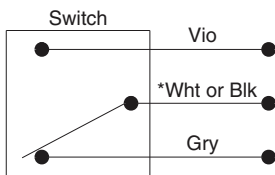
Top illustration is for a 22 Device with a composite action rod only. All others see bottom illustration.



## Step 4 Check the switch for proper actuation

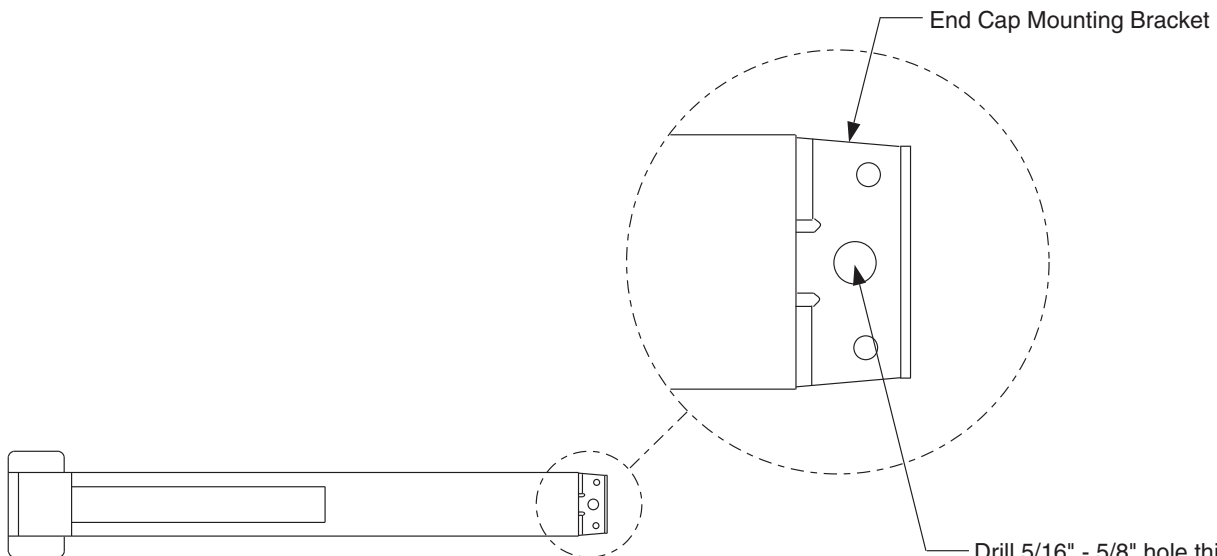


If adjustment is needed, loosen screw in the side of the switch assembly and slide switch forward or backward as necessary.



\*White = 2A  
Black = 50mA

## Step 5 Prepare door for device wiring.



**Note:** If device is an ALK, refer to device installation instructions.