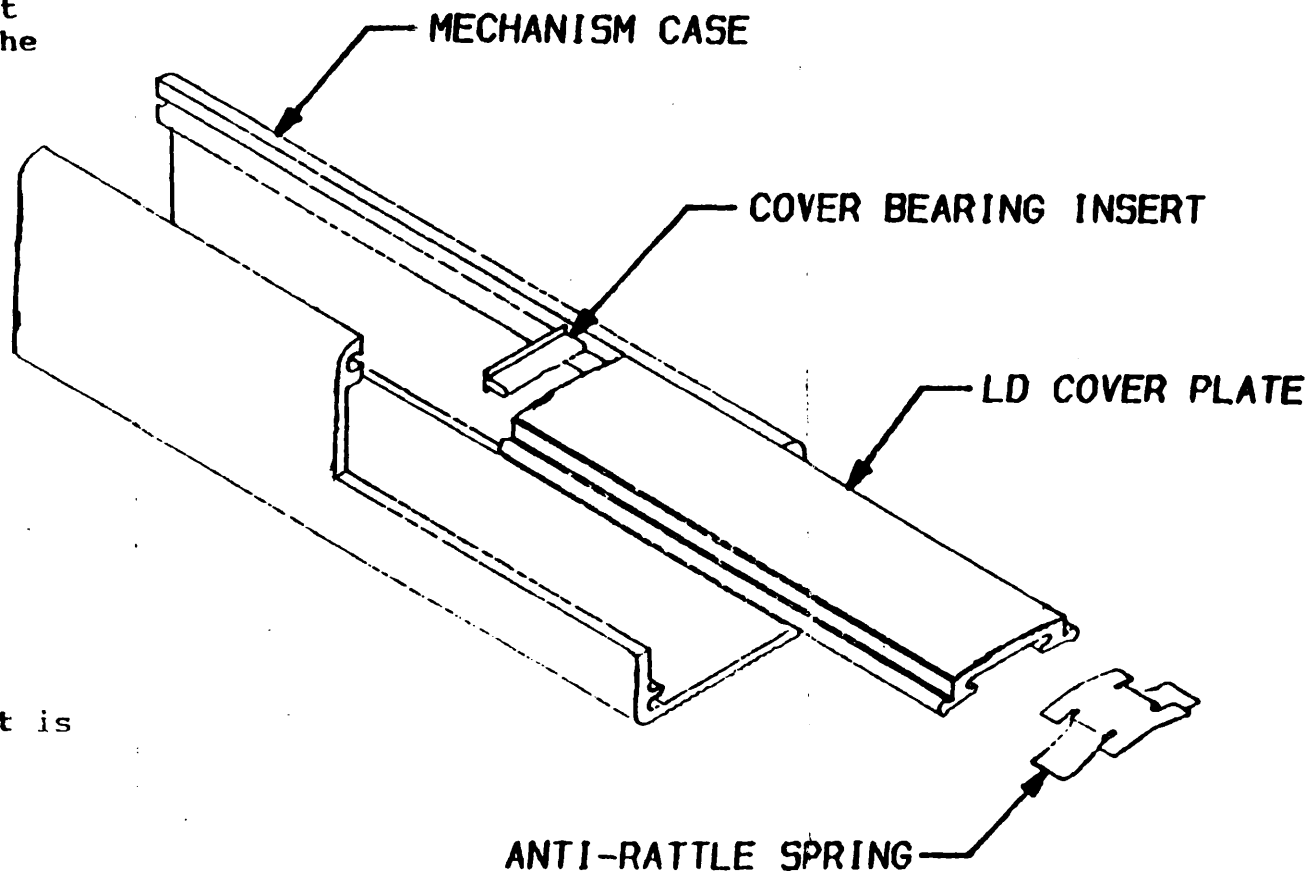


NEW INSTALLATION - INSTRUCTIONS

1. Read 33/99 Device **INSTALLATION INSTRUCTIONS**.
2. Replace existing cover plate with LD cover plate. Install **LD cover plate** ensuring cover bearing insert is against touchbar.
3. Cut 35/38 Device to proper length using cutoff chart on Device direction sheet. (Be careful not to cut the anti-rattle spring)
4. Install Device.
5. Install mechanism case end cap.

RETROFIT INSTALLATION - INSTRUCTIONS

1. Remove mechanism case end cap.
2. Remove existing cover plate.
3. Cut LD cover plate to same length as existing cover plate that has been cut to size. (Be careful not to cut the anti-rattle spring)
4. Install LD cover plate ensuring cover bearing insert is facing touchbar.
5. Install mechanism case end cap.



FOR CUTOUTS ON INSIDE FACE OF DOOR
SEE DIRECTIONS IN DEVICE CARTON.

VON DUPRIN®

DESCRIPTION:

35/98 LD KIT

IR Ingersoll Rand
Security Technologies

DIRECTION NUMBER: **941264-00(0)** DATE **2-8-90**