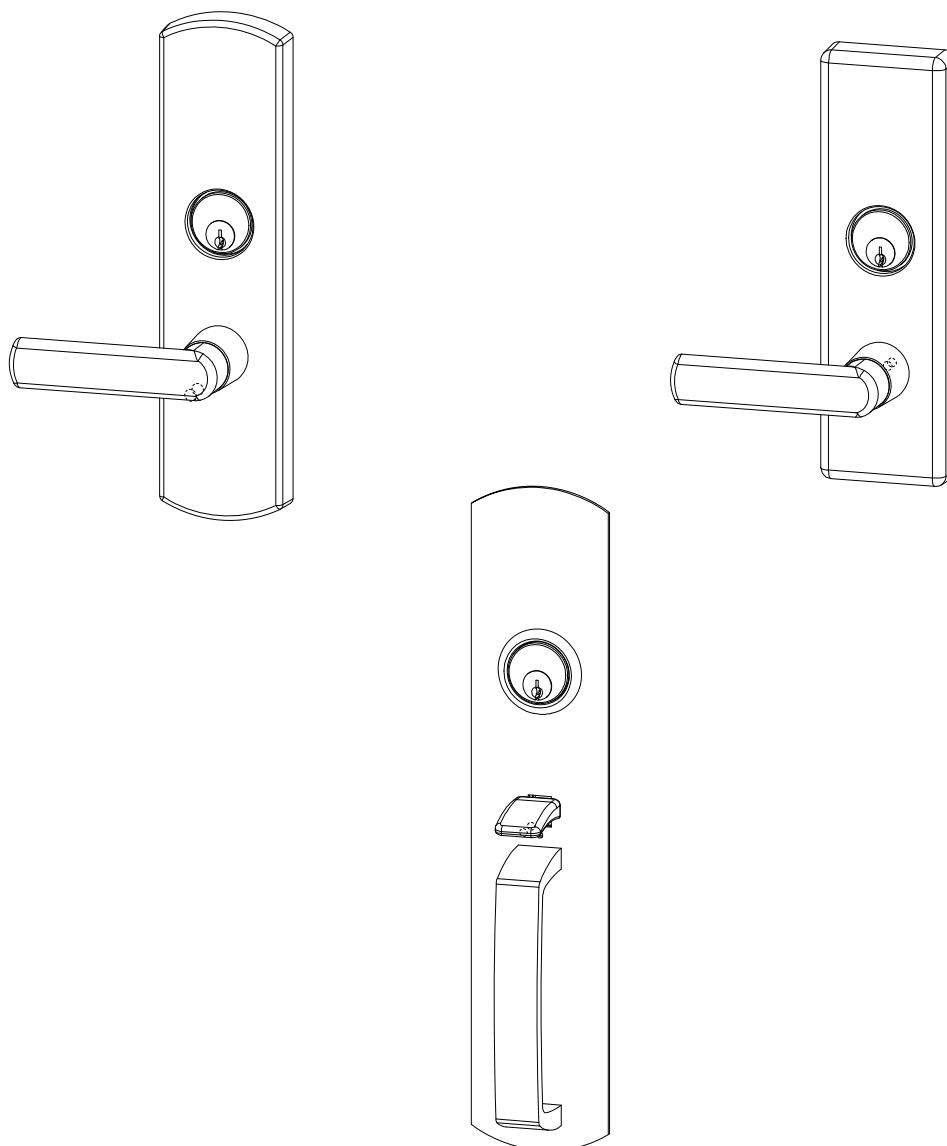


VON DUPRIN®

PARTS MANUAL

JULY 2009

990 SERIES OUTSIDE TRIM



PM990_B
VD-5561

IR Ingersoll Rand
Security Technologies

© 2009 Ingersoll-Rand Company Limited

INDEX

360/370 Series Controls

- 990EO & 990DT TRIM 4
- 990NL-R&V & 990NL-M TRIM 5
- 990TP-R&V & 990TP-BE-R&V TRIM 6
- 990TP-M & 990TP-BE-M TRIM 7
- 991K-R&V TRIM 8
- 991K-BE-R&V TRIM 9
- 991K-NL-R&V TRIM 10
- 991K-M & 991K-M-BE TRIM 11
- 991K-NL-M & 991K-DT TRIM 12**
- 992L-R&V TRIM 13**
- 992L-BE-R&V TRIM 14**
- 992L-NL-R&V TRIM 15**
- 992L-M & 992L-BE-M LEVER TRIM 16
- 992L-M & 992L-BE-M LEVER TRIM 17
- 992L-DT OR RIGID TRIM CONVERSION KIT 18
- 992L REPLACEMENT CAM KITS 18
- 994L-R&V & 994L-R&V-BE LEVER TRIM 19

General Information

- Introduction 2
- How to Order 2
- Trim Levers 3
- Finishes 3

INTRODUCTION

This manual contains a listing of replaceable parts and assemblies for the 990 Series Trims.

HOW TO ORDER

Some parts are sold separately. Other items are available as part of a kit or multiple quantity package. For the best possible service when ordering replacement parts or assemblies, please provide the following information:

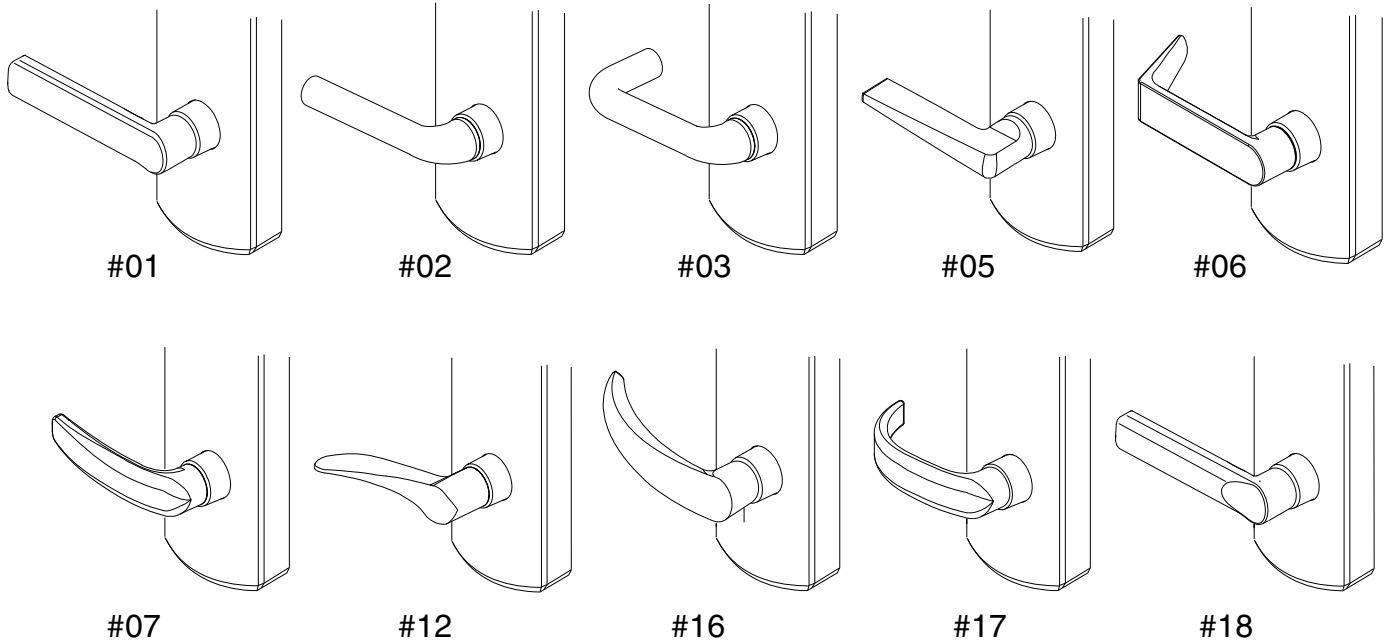
- Part number or assembly number
- Description
- Quantity needed
- Finish desired (if available finished)
- Date of original purchase (if known)

To find out the name of your local Von Duprin distributor or sales representative, contact:

Von Duprin Division
 Ingersoll-Rand Company
 2720 Tobey Drive
 Indianapolis, Indiana 46219
 Phone: (800) 999-0408
 Fax: (800) 999-0328

This manual reflects the product as sold in July 2009. Because of changes to the product and/or manufacturing process, part numbers can change.

992/994/996 TRIM LEVERS



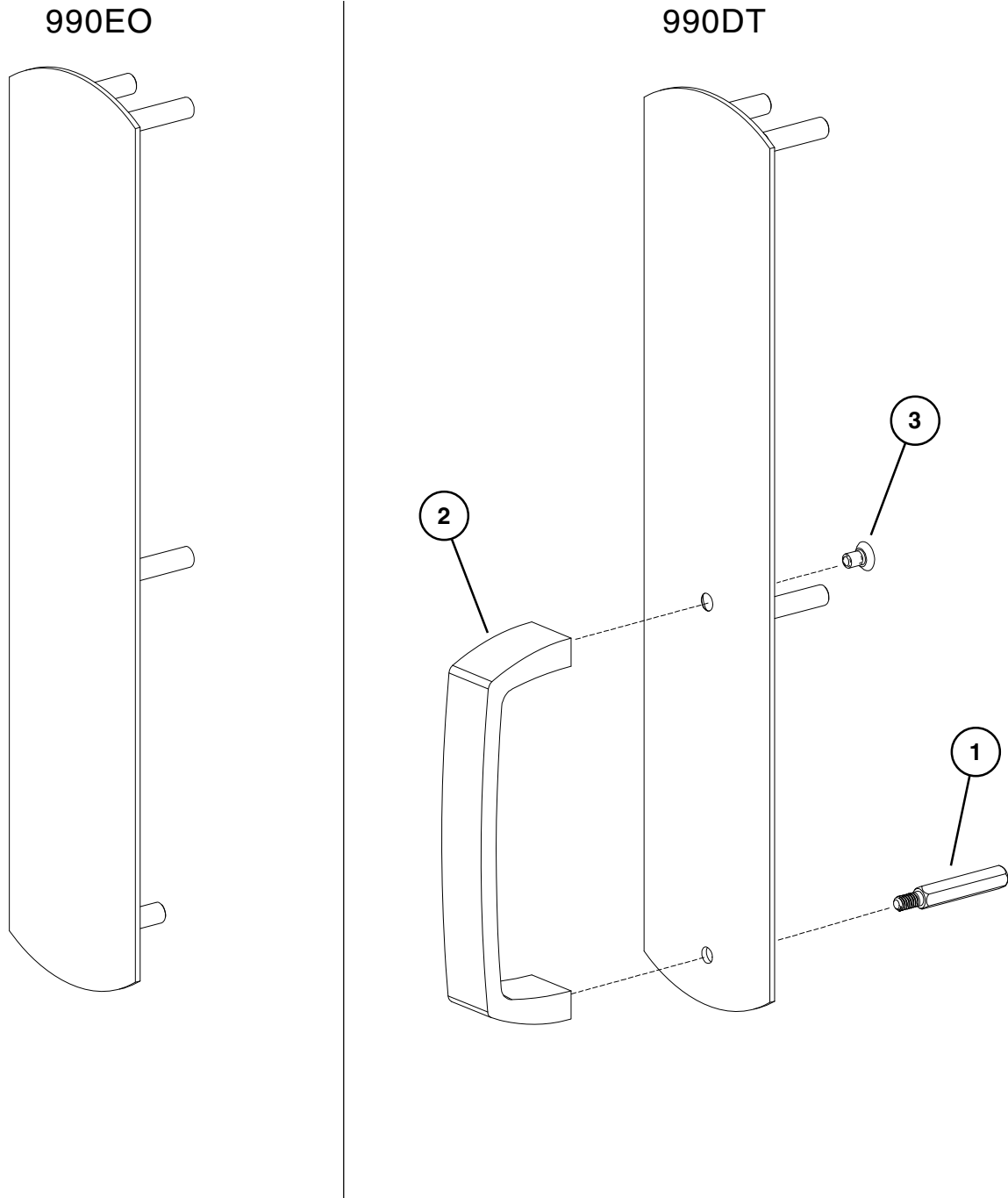
990 SERIES FINISHES

U.S. Std Reference	BHMA Reference	Description
US3	605	Polished Brass
US4	606	Dull Brass
US10	612	Dull Bronze
US15	619	Satin Nickel
US26	625	Polished Chrome
US26D	626	Dull Chrome
US28	628	Anodized Alum. (Clear)
US32D	630	Satin Stainless Steel
313AN	710	Anodized Alum. (313) Dark Bronze
315AN	711	Anodized Alum. (Black)

990EO & 990DT TRIM

Item No.	Quantity	Part No.	Description	Finish
	1	900853	990 Screw Package 1-3/4" - 2-1/4" Dr	
1	1	956760	Hex Stud - 990 Trim	
2	1	972466	Pull Grip	X
3	1	963579	#12-24 x 3/8" UFPHMS	

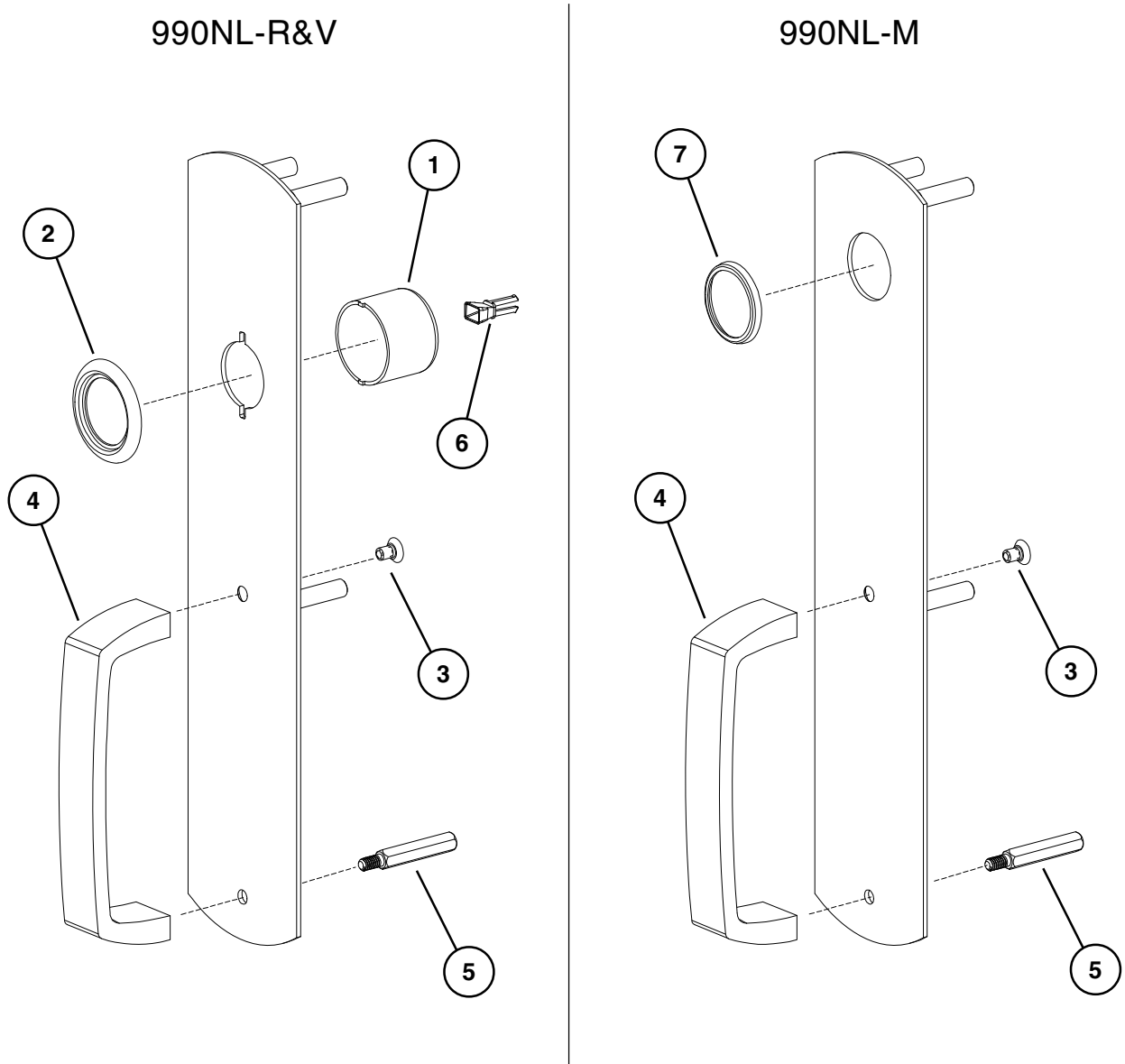
X in "Finish" column designates finished items; finish must be specified when ordering.



990NL-R&V & 990NL-M TRIM

Item No.	Quantity	Part No.	Description	Finish
	1	900853	990 Screw Package 1-3/4" - 2-1/4" Dr	
1	1	968201	Cylinder Retaining Cup	
2	1	965226	Cylinder Collar - R&V	
3	1	963579	#12-24x 3/8" UFPHMS	
4	1	972469	Pull Grip	X
5	1	956760	Hex Stud - 990 Trim	
6	1	050156	Tailpiece Guide (Pkg of 10)	
7	1	961267	Cylinder Collar - Mortise	

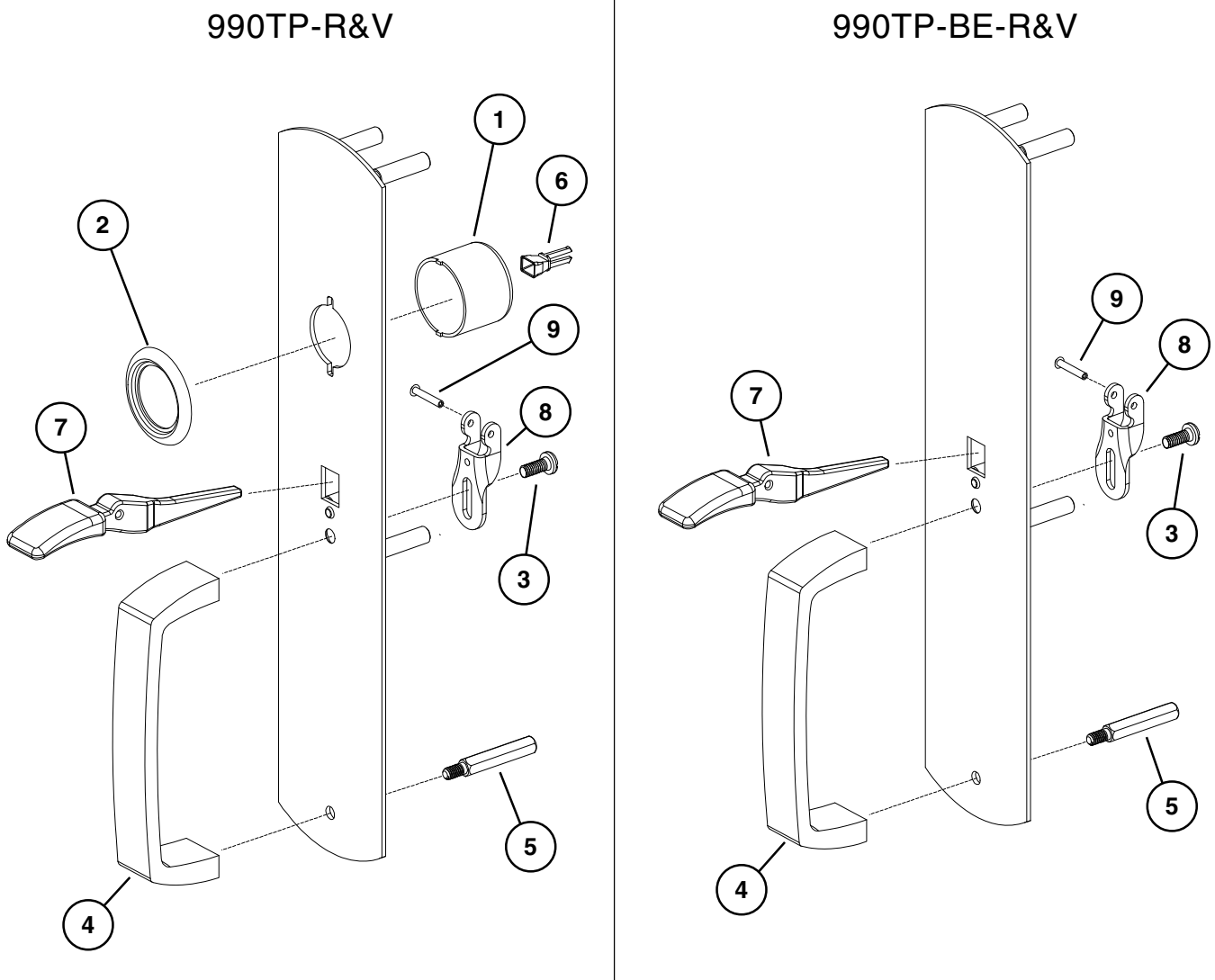
X in "Finish" column designates finished items; finish must be specified when ordering.



990TP-R&V & 990TP-BE-R&V TRIM

Item No.	Quantity	Part No.	Description	Finish
	1	900853	990 Screw Package 1-3/4" - 2-1/4" Dr	
1	1	968201	Cylinder Retaining Cup	
2	1	965226	Cylinder Collar	
3	1	965237	TP Bracket Screw	
4	1	972469	Pull Grip	X
5	1	956760	Hex Stud - 990 Trim	
6	1	050156	Tailpiece Guide (Pkg of 10)	
7	1	970488	Thumbpiece - R&V	X
8	1	969353	Thumbpiece Bracket	
9	1	959603	Thumbpiece Axle	

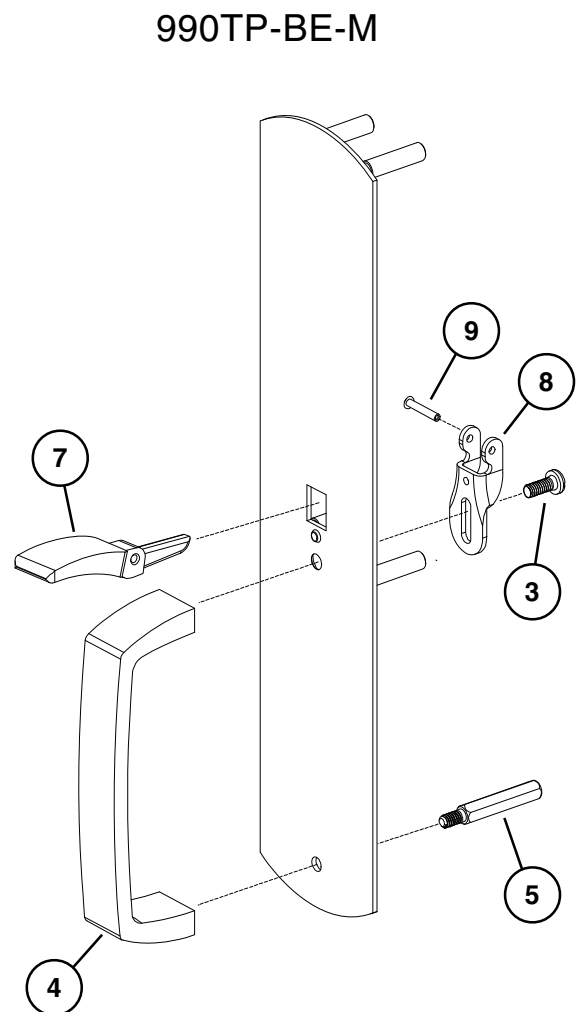
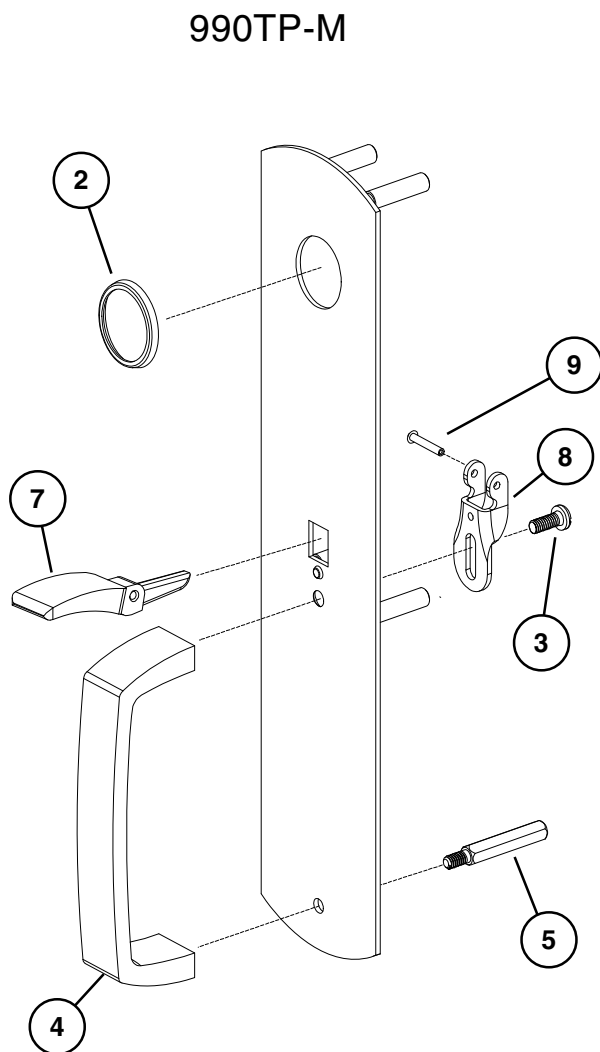
X in "Finish" column designates finished items; finish must be specified when ordering.



990TP-M & 990TP-BE-M TRIM

Item No.	Quantity	Part No.	Description	Finish
	1	900853	990 Screw Package 1-3/4" - 2-1/4" Dr	
2	1	961267	Cylinder Collar	
3	1	965237	TP Bracket Screw	
4	1	972469	Pull Grip	X
5	1	956760	Hex Stud - 990 Trim	
7	1	970950	Thumbpiece - Mortise	X
8	1	969353	Thumbpiece Bracket	
9	1	959603	Thumbpiece Axle	

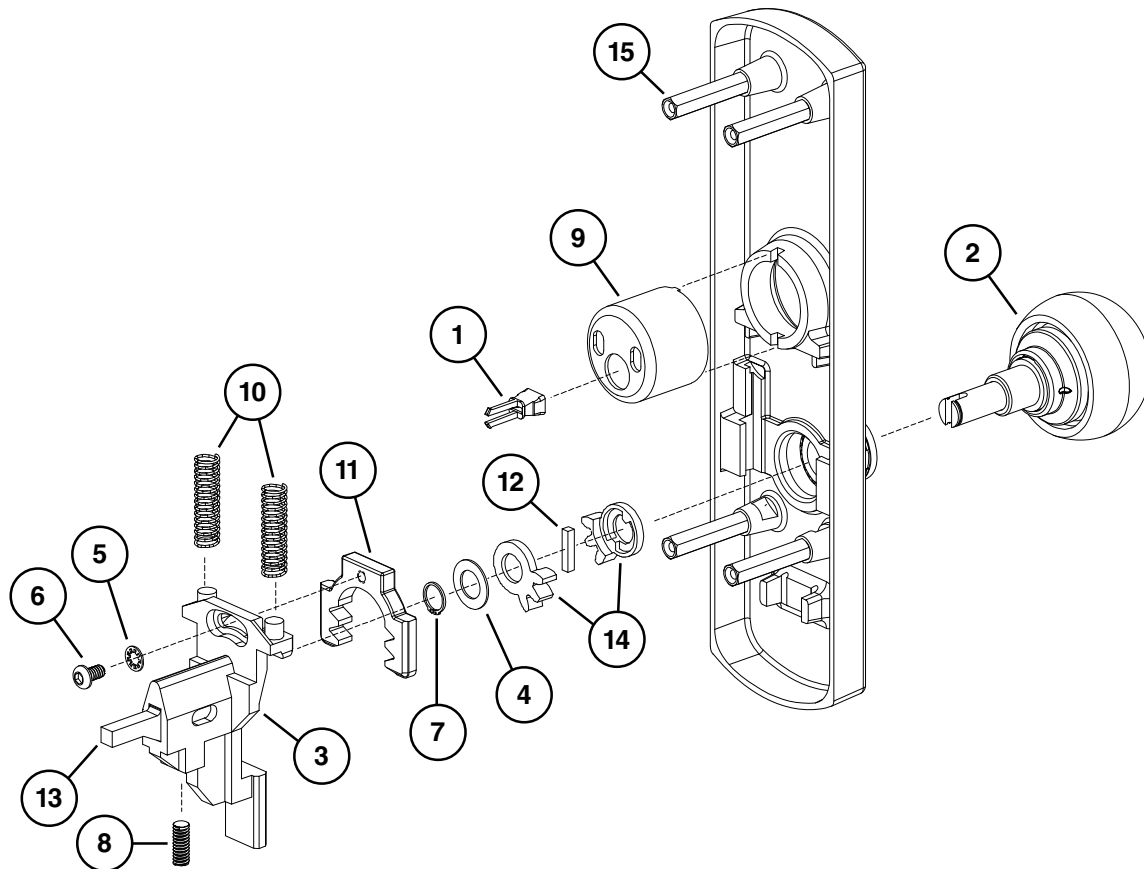
X in "Finish" column designates finished items; finish must be specified when ordering.



991K-R&V TRIM

Item No.	Quantity	Part No.	Description	Finish
	1	900920	991/992/994/996 Screw Package	
1	1	050156	Tailpiece Guide (Pkg of 10)	
2	1	110537	Orbit Knob Assembly - 991K	
3	1	110768	Slider Sub-Assembly - 991K-R/V	
4	1	963105	Flat Washer - 992K-DT/NL/BE/992L	
5	1	963925	#10 Internal Tooth Lock Washer - 991K/992L	
6	1	964086	10-24 x 3/8" Btn Hd Cap Screw - 991K/992L	
7	1	964285	Retaining Ring - 991K-DT/NL/BE/992L	
8	1	964353	1/4-20 x 5/8" Socket Set Screw	
9	1	968201	Cylinder Retaining Cup	
10	1	969012	Spring - 991K	
11	1	969537	Slider Rack - 991K	
12	1	969544	Straight Key - 991K	
13	1	969545	R&V Finger - 991K/992L	
14	1	969551	Pinion Gear - 991K	
15	1	971440	Hex Stud - 991K/992L	

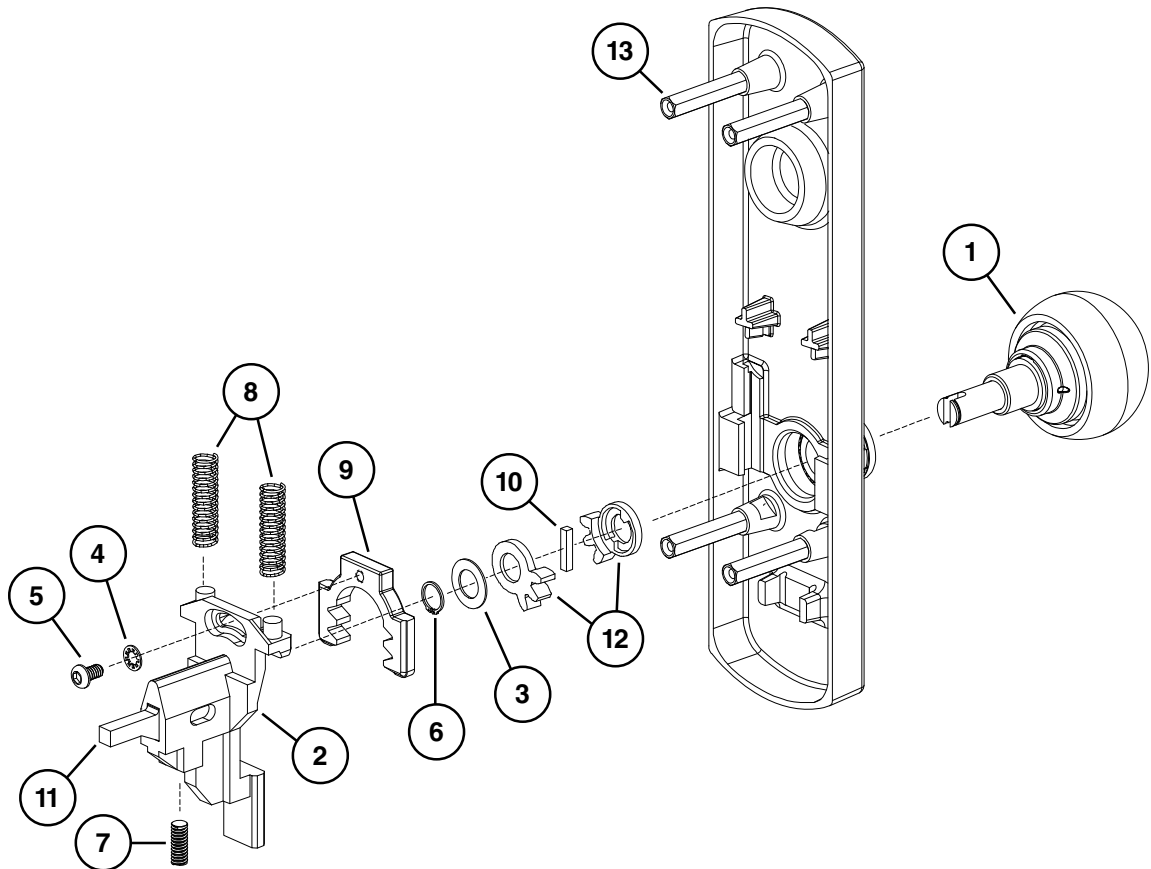
X in "Finish" column designates finished items; finish must be specified when ordering.



991K-BE-R&V TRIM

Item No.	Quantity	Part No.	Description	Finish
	1	900920	991/992/994/996 Screw Package	
1	1	110537	Orbit Knob Assembly - 991K	
2	1	110768	Slider Sub-Assembly - 991K-R/V	
3	1	963105	Flat Washer - 992K-DT/NL/BE/992L	
4	1	963925	#10 Internal Tooth Lock Washer - 991K/992L	
5	1	964086	10-24 x 3/8" Btn Hd Cap Screw - 991K/992L	
6	1	964285	Retaining Ring - 991K-DT/NL/BE/992L	
7	1	964353	1/4-20 x 5/8" Socket Set Screw	
8	1	969012	Spring - 991K	
9	1	969537	Slider Rack - 991K	
10	1	969544	Straight Key - 991K	
11	1	969545	R&V Finger - 991K/992L	
12	1	969551	Pinion Gear - 991K	
13	1	971440	Hex Stud - 991K/992L	

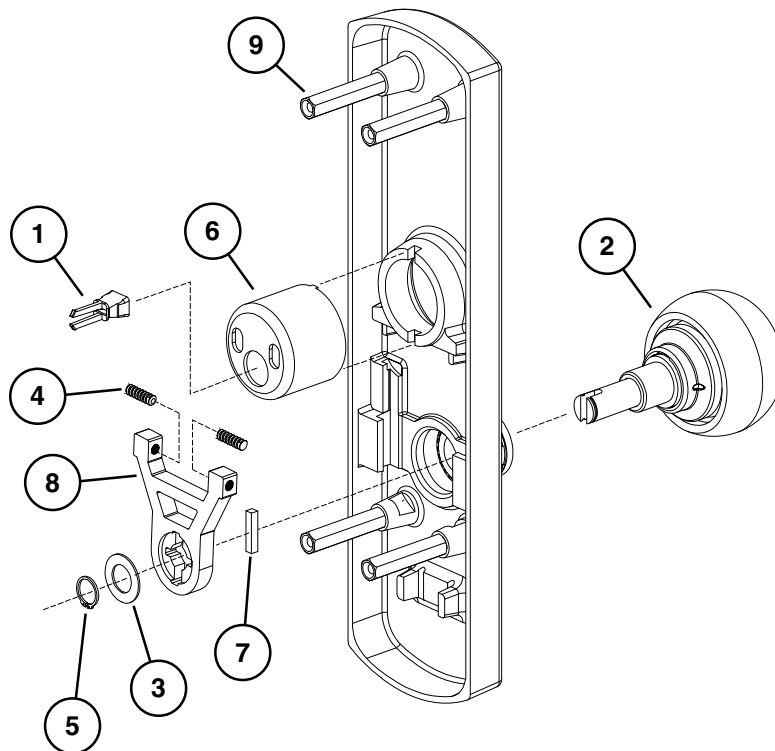
X in "Finish" column designates finished items; finish must be specified when ordering.



991K-NL-R&V TRIM

Item No.	Quantity	Part No.	Description	Finish
	1	900920	991/992/994/996 Screw Package	
1	1	050156	Tailpiece Guide (Pkg of 10)	
2	1	110537	Orbit Knob Assembly - 991K	X
3	1	963105	Flat Washer - 992K-DT/NL/BE/992L	
4	1	964183	10-24 x 1/2" Socket Set Cap Screw	
5	1	964285	Retaining Ring - 991K-DT/NL/BE/992L	
6	1	968201	Cylinder Retaining Cup	
7	1	969544	Straight Key - 991K	
8	1	970117	DT Yoke - 991K/992L (DT and NL)	
9	1	971440	Hex Stud - 991K/992L	

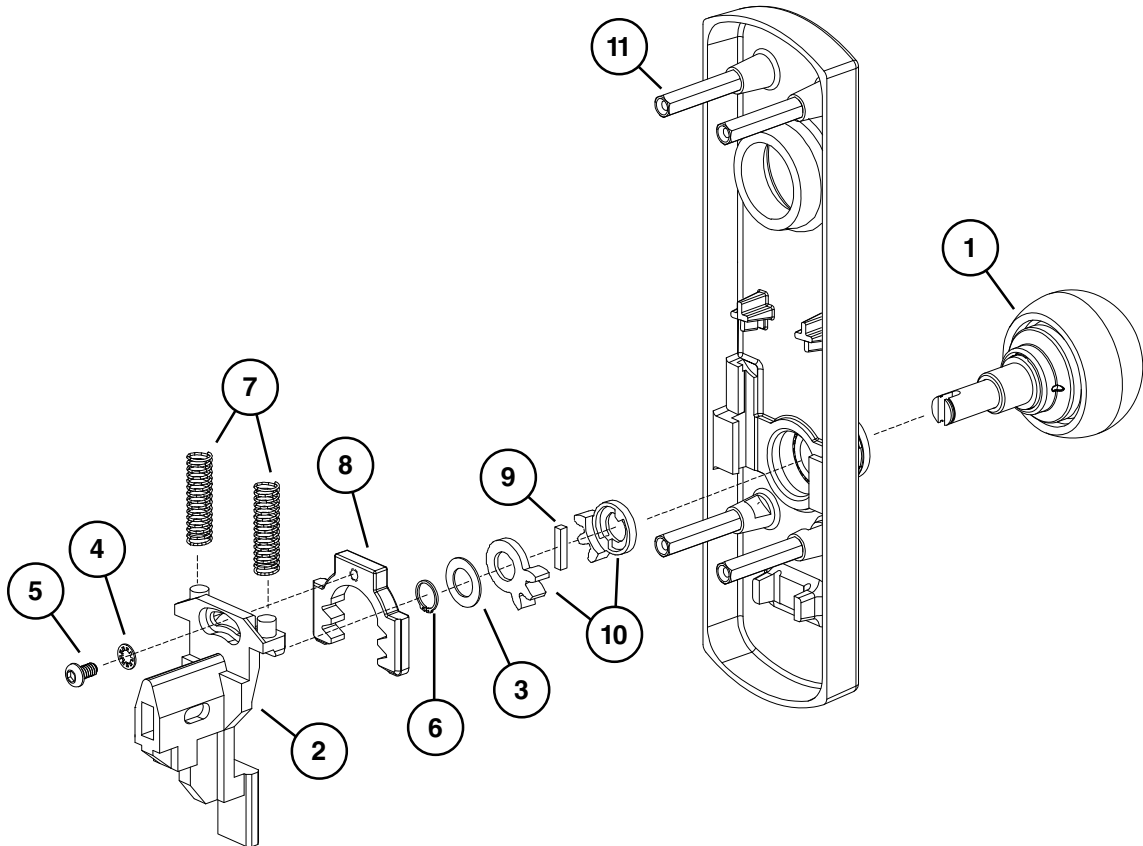
X in "Finish" column designates finished items; finish must be specified when ordering.



991K-M & 991K-M-BE TRIM

Item No.	Quantity	Part No.	Description	Finish
	1	900920	991/992/994/996 Screw Package	
1	1	110537	Orbit Knob Assembly - 991K	
2	1	969535	Slider - 991K-M	
3	1	963105	Flat Washer - 992K-DT/NL/BE/992L	
4	1	963925	#10 Internal Tooth Lock Washer - 991K/992L	
5	1	964086	10-24 x 3/8" Btn Hd Cap Screw - 991K/992L	
6	1	964285	Retaining Ring - 991K-DT/NL/BE/992L	
7	1	969012	Spring - 991K	
8	1	969537	Slider Rack - 991K	
9	1	969544	Straight Key - 991K	
10	1	969551	Pinion Gear - 991K	
11	1	971440	Hex Stud - 991K/992L	

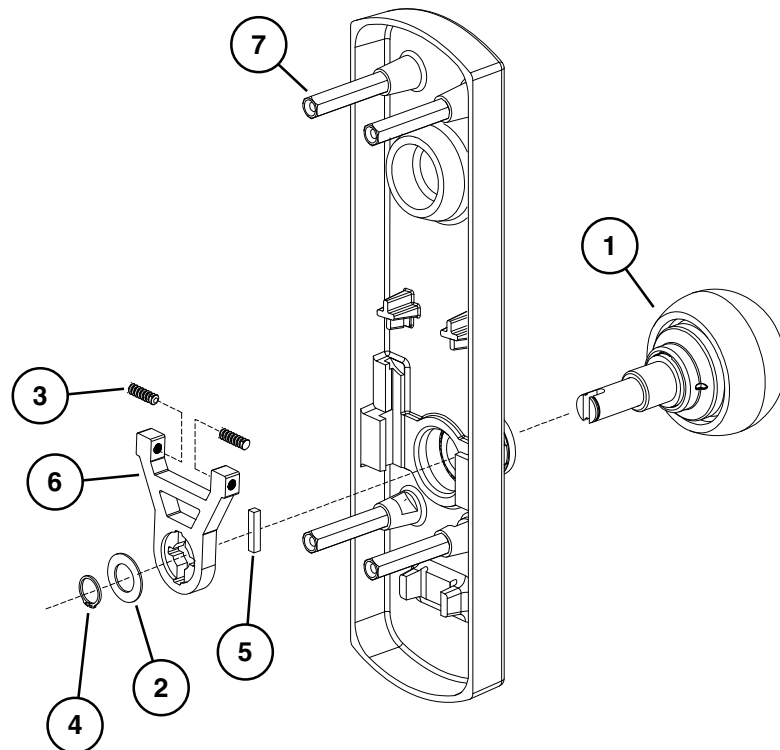
X in "Finish" column designates finished items; finish must be specified when ordering.



991K-NL-M & 991K-DT TRIM

Item No.	Quantity	Part No.	Description	Finish
	1	900920	991/992/994/996 Screw Package	
1	1	110537	Orbit Knob Assembly - 991K	X
2	1	963105	Flat Washer - 992K-DT/NL/BE/992L	
3	1	964183	10-24 x 1/2" Socket Set Cap Screw	
4	1	964285	Retaining Ring - 991K-DT/NL/BE/992L	
5	1	969544	Straight Key - 991K	
6	1	970117	DT Yoke - 991K/992L (DT and NL)	
7	1	971440	Hex Stud - 991K/992L	

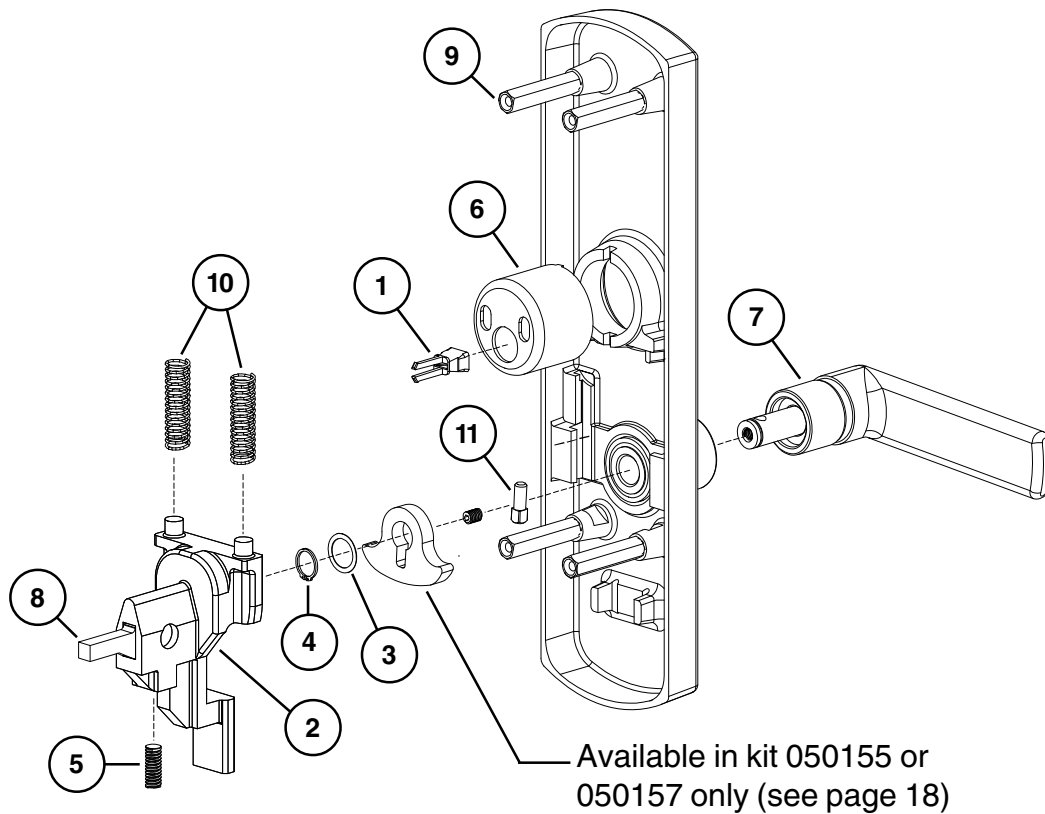
X in "Finish" column designates finished items; finish must be specified when ordering.



992L-R&V TRIM

Item No.	Quantity	Part No.	Description	Finish
	1	900920	991/992/994/996 Screw Package	
1	1	050156	Tailpiece Guide (Pkg of 10)	
2	1	110769	Slider Sub-Assembly - 992L-R/V	
3	1	090103	Wave Spring Washer - 992L Pkg/10	
4	1	964285	Retaining Ring - 991K-DT/NL/BE/992L	
5	1	964353	1/4-20 x 5/8" Socket Set Screw	
6	1	968201	Cylinder Retaining Cup	
7	1	969541	Lever Bushing - 992/994/996	
8	1	969545	R&V Finger - 991K/992L	
9	4	971440	Hex Stud - 991K/992L	
10	2	971573	Lift Spring - 992/994	
11	1	050611	Shear Pin - 992/994/996 w/Retaining Ring	

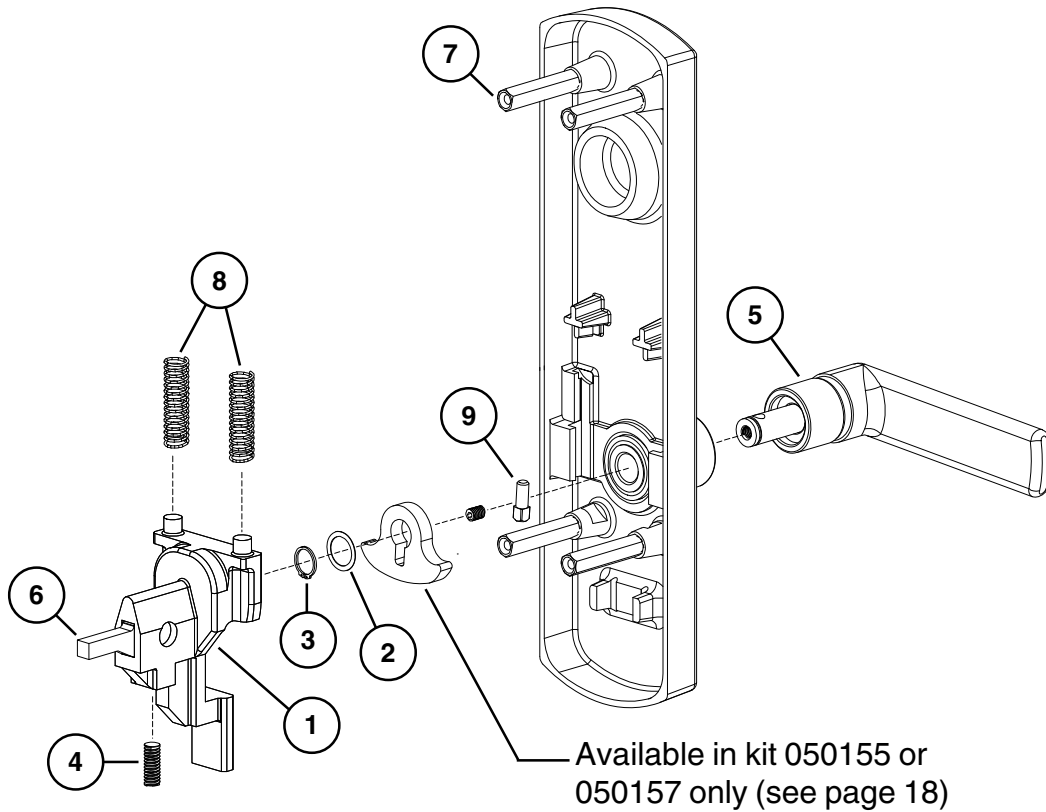
X in "Finish" column designates finished items; finish must be specified when ordering.



992L-BE-R&V TRIM

Item No.	Quantity	Part No.	Description	Finish
	1	900920	991/992/994/996 Screw Package	
1	1	110769	Slider Sub-Assembly - 992L-R/V	
2	1	090103	Wave Spring Washer - 992L Pkg/10	
3	1	964285	Retaining Ring - 991K-DT/NL/BE/992L	
4	1	964353	1/4-20 x 5/8" Socket Set Screw	
5	1	969541	Lever Bushing - 992/994/996	
6	1	969545	R&V Finger - 991K/992L	
7	4	971440	Hex Stud - 991K/992L	
8	2	971573	Lift Spring - 992/994	
9	1	050611	Shear Pin - 992/994/996 w/Retaining Ring	

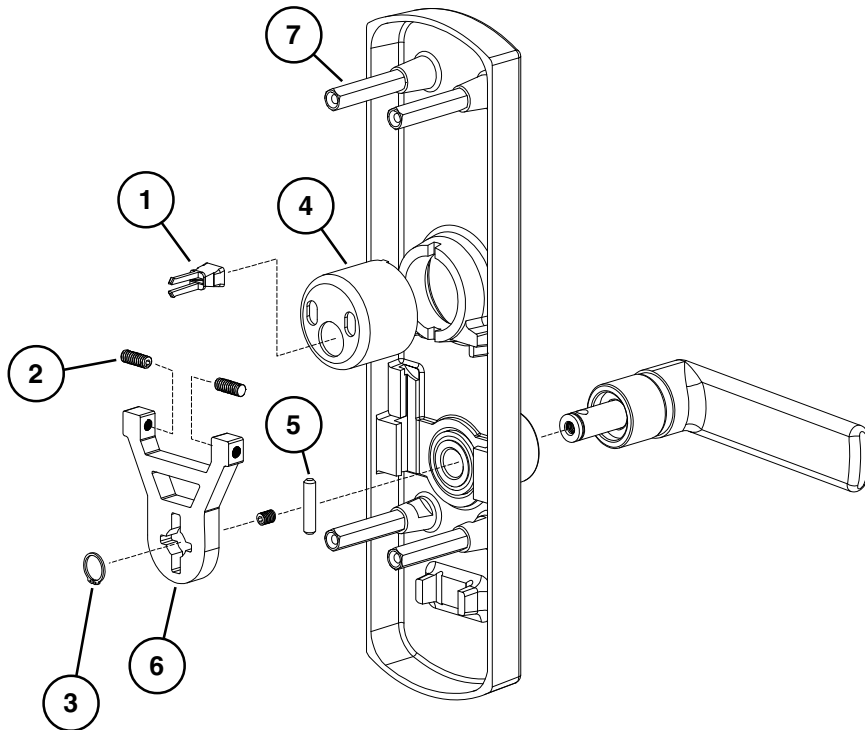
X in "Finish" column designates finished items; finish must be specified when ordering.



992L-NL-R&V TRIM

Item No.	Quantity	Part No.	Description	Finish
	1	900920	991/992/994/996 Screw Package	
1	1	050156	Tailpiece Guide (Pkg of 10)	
2	1	964183	10-24 x 1/2" Socket Set Cap Screw	
3	1	964285	Retaining Ring - 991K-DT/NL/BE/992L	
4	1	968201	Cylinder Retaining Cup	
5	1	971015	DT Cam Pin - 992/994/996	
6	1	970117	DT Yoke - 991K/992L (DT and NL)	
7	1	971440	Hex Stud - 991K/992L	

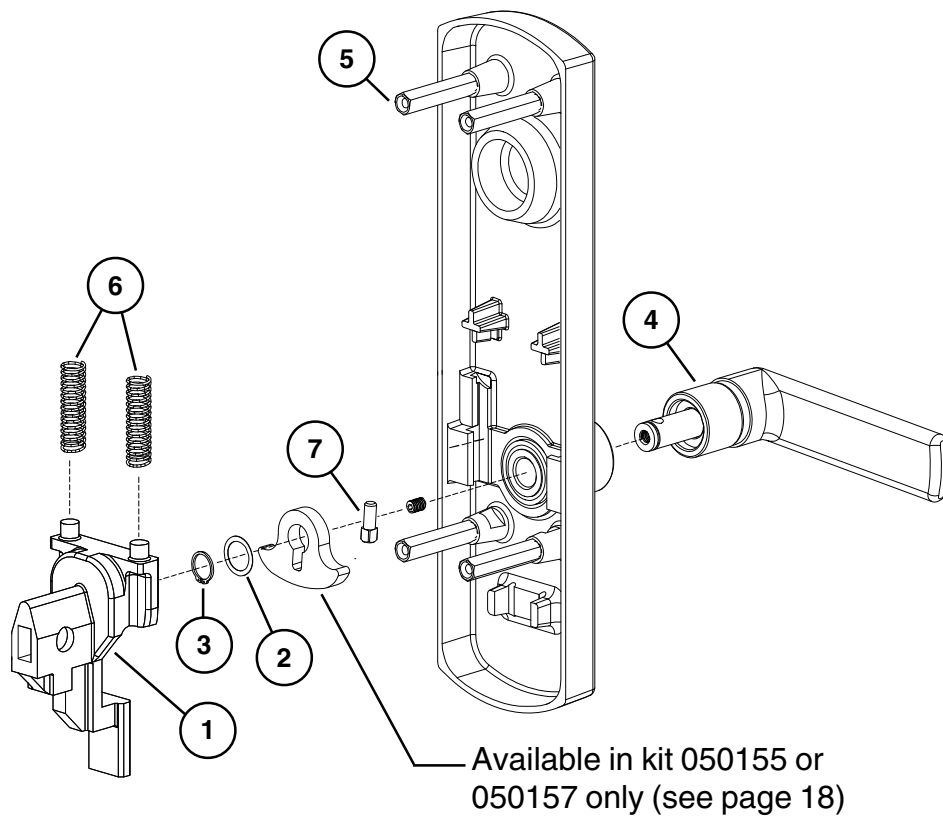
X in "Finish" column designates finished items; finish must be specified when ordering.



992L-M & 992L-BE-M LEVER TRIM

Item No.	Quantity	Part No.	Description	Finish
	1	900920	991/992/994/996 Screw Package	
1	1	971012	Slider Sub-Assembly - 992L-M	
2	1	090103	Wave Spring Washer - 992L Pkg/10	
3	1	964285	Retaining Ring - 991K-DT/NL/BE/992L	
4	1	969541	Lever Bushing - 992/994/996	
5	4	971440	Hex Stud - 991K/992L	
6	2	971573	Lift Spring - 992/994	
7	1	050611	Shear Pin - 992/994/996 w/Retaining Ring	

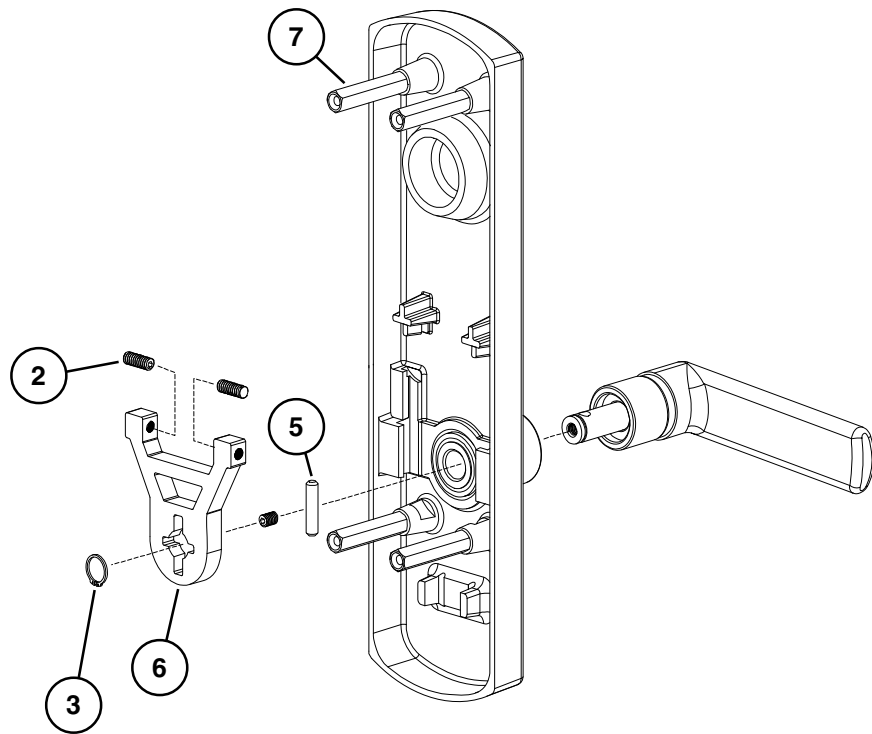
X in "Finish" column designates finished items; finish must be specified when ordering.



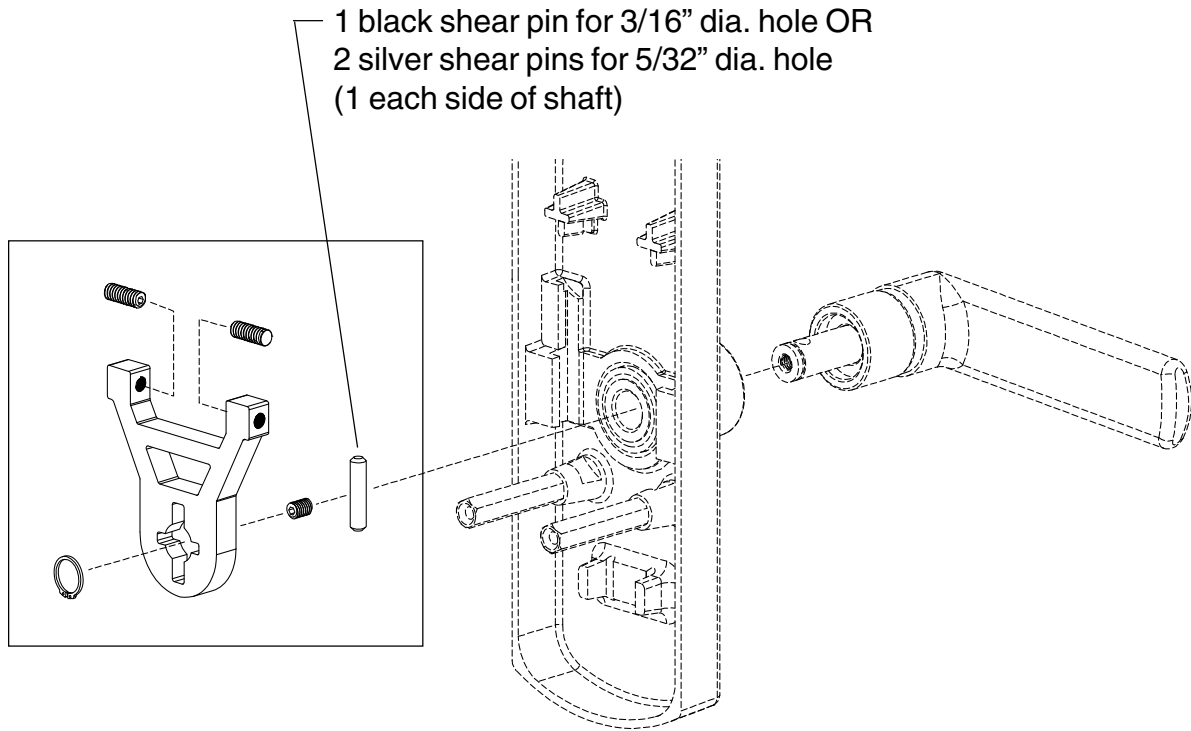
992L-NL-M & 992L-DT-M TRIM

Item No.	Quantity	Part No.	Description	Finish
	1	900920	991/992/994/996 Screw Package	
2	1	964183	10-24 x 1/2" Socket Set Cap Screw	
3	1	964285	Retaining Ring - 991K-DT/NL/BE/992L	
5	1	971015	DT Cam Pin - 992/994/996	
6	1	970117	DT Yoke - 991K/992L (DT and NL)	
7	1	971440	Hex Stud - 991K/992L	

X in "Finish" column designates finished items; finish must be specified when ordering.

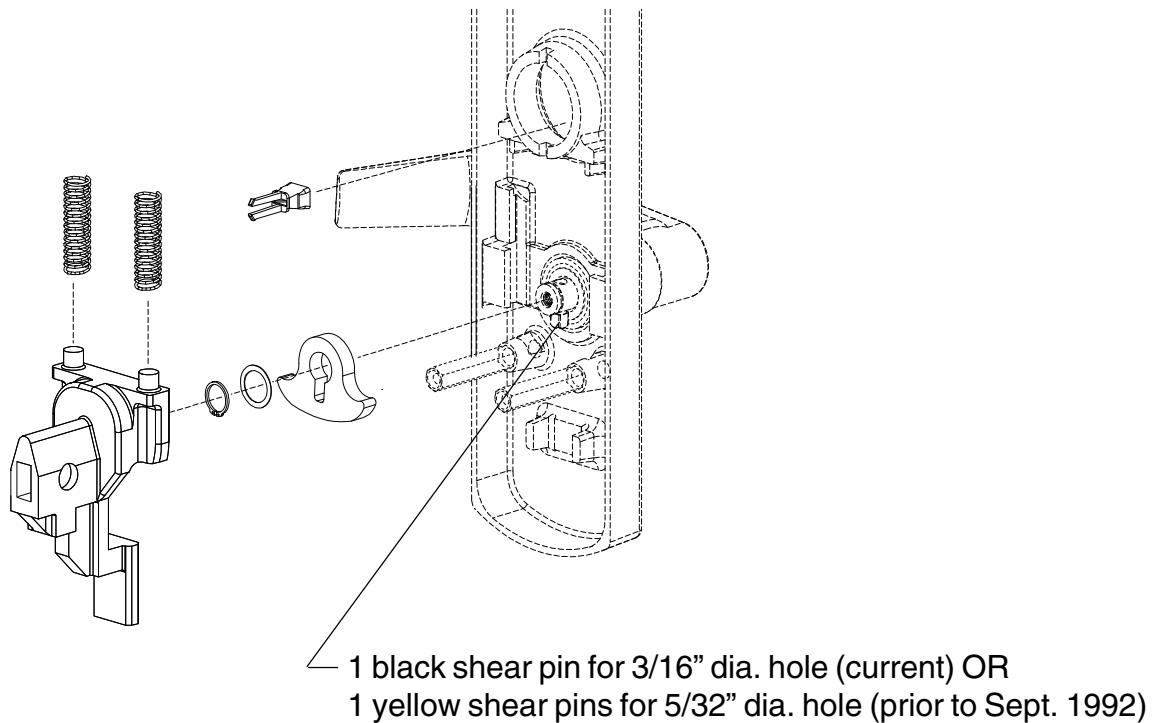


992L-DT OR RIGID TRIM CONVERSION KIT - 050154



992L REPLACEMENT CAM KIT W/SLIDER - 050155

992L REPLACEMENT CAM KIT LESS SLIDER - 050157



994L-R&V & 994L-R&V-BE LEVER TRIM

Item No.	Quantity	Part No.	Description	Finish
	1	900920	991/992/994/996 Screw Package	
1	1	050156	Tailpiece Guide Lead Kit	
2	1	112461	Slider Sub-Assembly - 994/996L-R/V	
3	1	964285	Retaining Ring - 991K-DT/NL/BE/992L	
4	1	969541	Lever Bushing - 992/994/996	
5	4	968201	Cylinder Retaining Cup - 990 Trim	
6	2	971573	Lift Spring - 992/994	
7	1	050611	Shear Pin - 992/994/996 w/Retaining Ring	
8	4	971585	Mounting Stud - 994/996	

X in "Finish" column designates finished items; finish must be specified when ordering.

