



Benchmark Extended Reveal Kit and Extended Reveal Assembly for 10" Reveal (maximum)

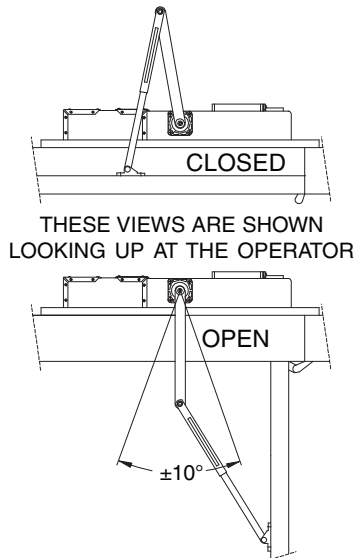


Figure 1

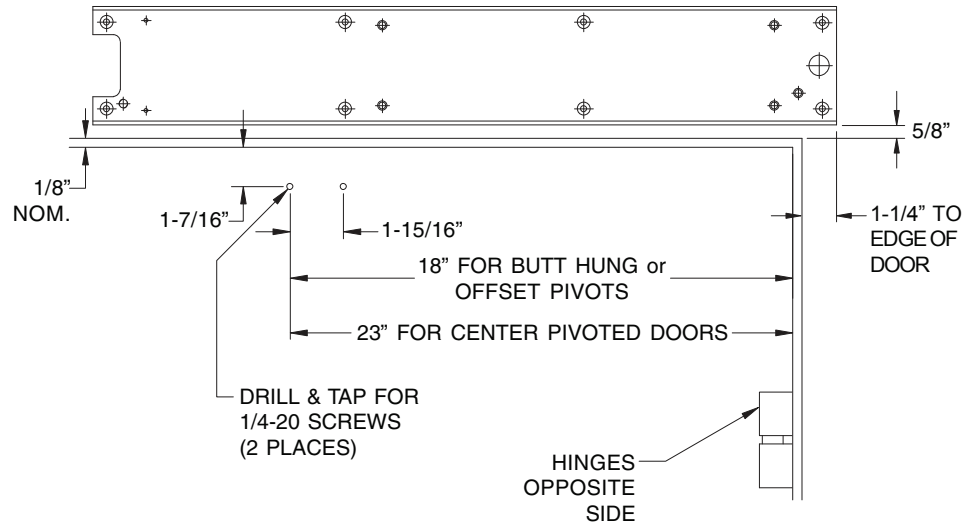


Figure 2

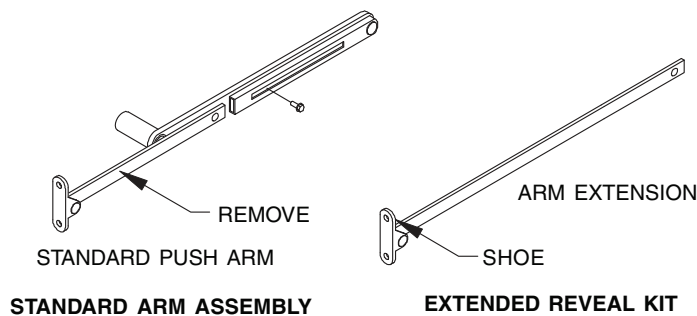


Figure 3

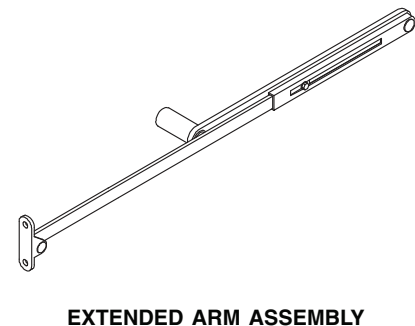


Figure 4

1. Refer to 740016-00 Benchmark Installation Instructions for installation of operator onto door frame.
2. Before attaching the arm to the unit, apply power and turn the power switch on. Activate the operator to the full open position by placing a jumper wire across the "Inside Activation" terminals to put the operator in the hold open position.
3. Extended arm assembly (Figure 4) replaces the standard arm assembly that comes with the Benchmark (Figure 3). Extended reveal kit requires that the installer remove the standard push arm (Figure 3) from the arm linkage and replace it with the arm extension (Figure 3).
4. Attach the shoe of the push arm assembly to the door (Figure 2). Slide the push arm into arm linkage and fasten loosely with the socket head cap screw provided.
5. Attach the arm linkage to the operator (Figure 1) with the 8mm socket head screw (loosely) and adjust the arm to the desired door position together with the shoe. Once the desired position has been chosen, tighten both the 8mm socket head screw and the nut connecting the two parts of the arm.
6. Remove the jumper wire.