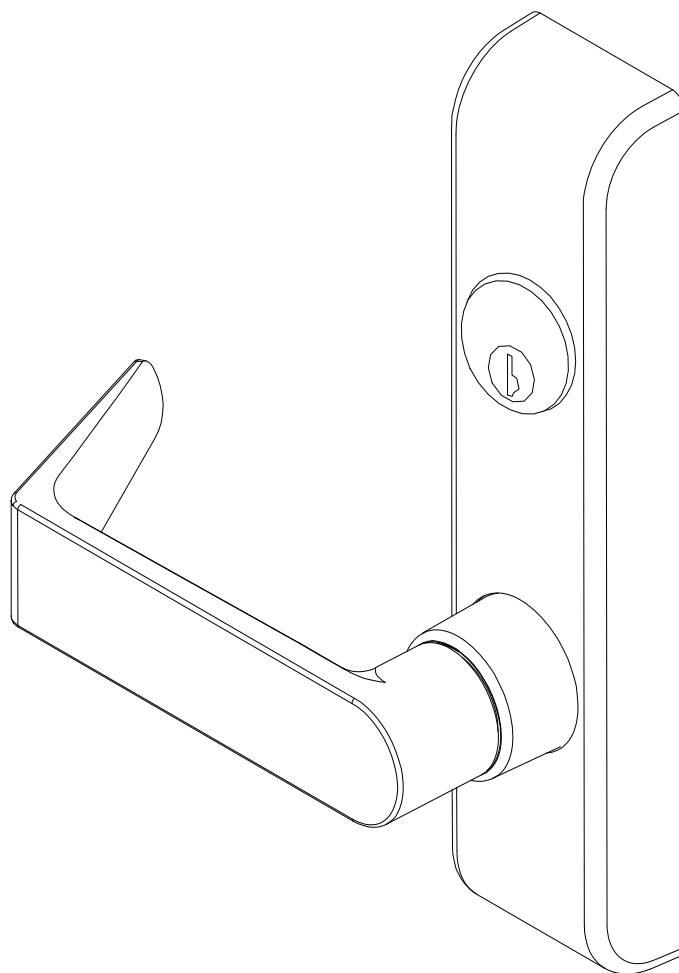


VON DUPRIN®

PARTS MANUAL

May 2010

360/370 SERIES CONTROLS



PM360/370_C
VD-5558

IR Ingersoll Rand
Security Technologies

Copyright © 2010 Ingersoll-Rand. All rights reserved.

INDEX

360/370 Series Controls	
370-T & 370-T-BE Control	4
370-L & 370-L-BE Control	5
370-L-DT & 372-L-DT Control	6
371-L & 371-L-BE Control	7
372-T & 372-T-BE Control	8
373-L & 373-L-BE Control	9
374-T, 374-T-BE, 376-T, 376-T-BE, 376-T-WDC & 376-T-WDC-BE CONTROL	10
374-T, 374-T-BE Rod Member Kits	11
376-T, 376-T-BE Rod Member Kits	11
374-T-WDC, 374-T-WDC-BE Rod Member Kits	11
377-T & 377-T-BE Control	12
360-L & 360-L-BE Control	13
360-T & 360-T-BE Control	14
360-L-DT Control	15
E360-L-BE Control	16
General Information	
Introduction	2
How to Order	2
Part Number Changes	2
Mounting ScREW Packages	2
Control Levers	3
Kits Required to Change Handling on Lever Controls	3
Cylinder Mount Accessories	3

INTRODUCTION

This manual contains a listing of replaceable parts and assemblies for the 360/370 Series Controls.

HOW TO ORDER

Some parts are sold separately. Other items are available as part of a kit or multiple quantity package. For the best possible service when ordering replacement parts or assemblies, please provide the following information:

- Part number or assembly number
- Description
- Quantity needed
- Finish desired (if available finished)
- Date of original purchase (if known)

To find out the name of your local Von Duprin distributor or sales representative, contact:

Von Duprin Division
 Ingersoll-Rand Company
 2720 Tobey Drive
 Indianapolis, Indiana 46219
 Phone: (800) 999-0408
 Fax: (800) 999-0328

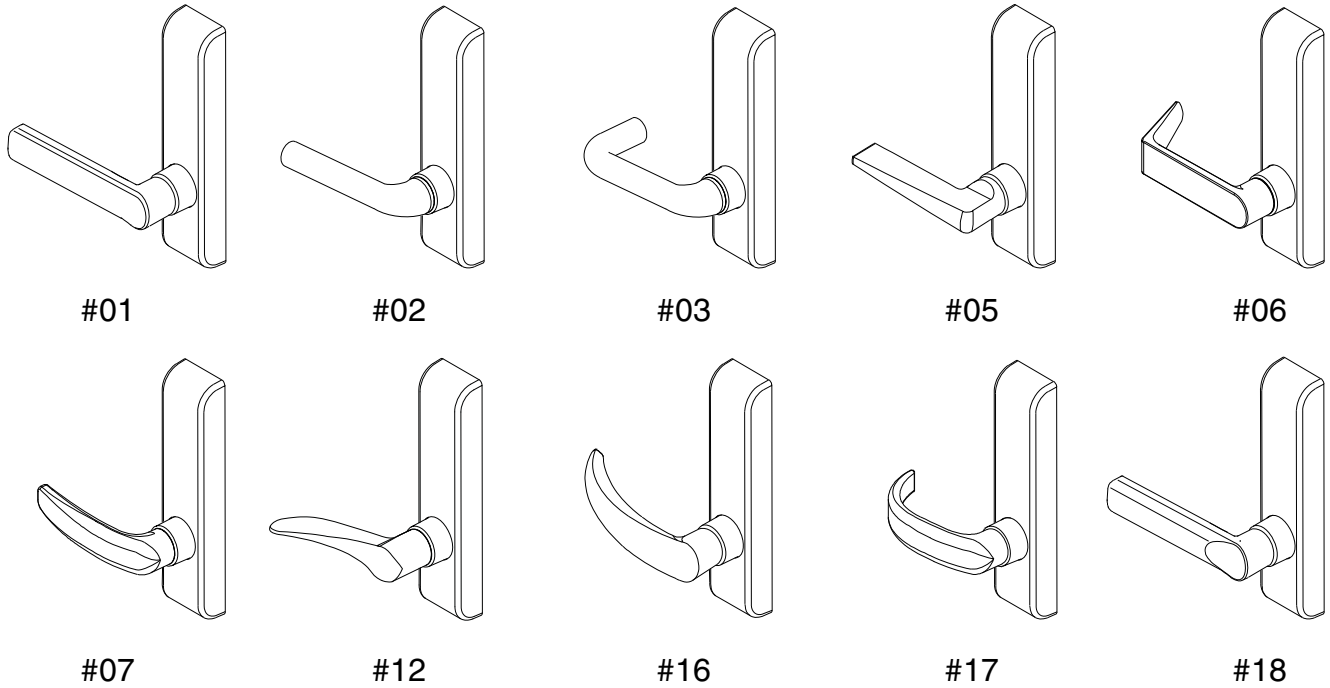
PART NUMBER CHANGES

This manual reflects the product as sold in July 2009. Because of changes to the product and/or manufacturing process, part numbers can change.

MOUNTING SCREW PACKAGES

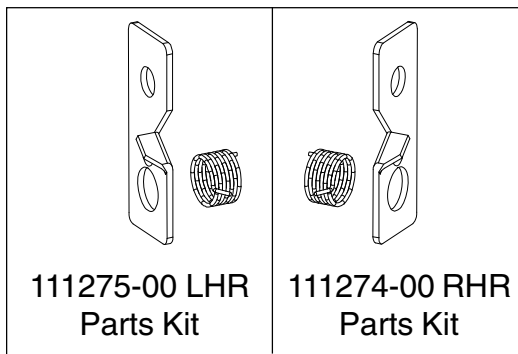
Description	371/373/378 Part number	374/376/377 Part number	375 Part number
Screw Package 1 3/4" Dr	900807	900809	900883
Screw Package 2 1/4" Dr	900808	900810	900884

CONTROL LEVERS

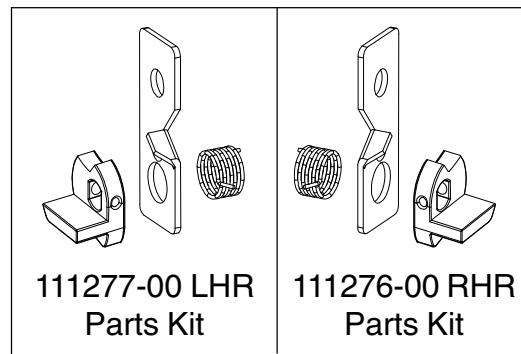


KITS REQUIRED TO CHANGE HANDING ON LEVER CONTROLS

370-L/371-L/373-L



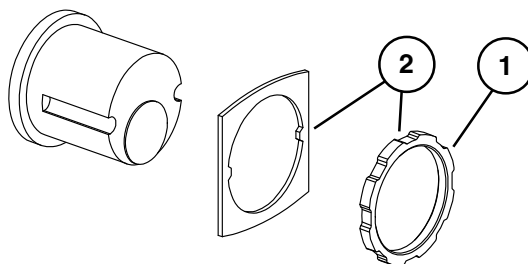
372-L



CYLINDER MOUNT ACCESSORIES

Item No.	Quantity	Part No.	Description	Finish
1	1	050526	Cylinder Locknut	
2	1	109111	Cylinder Lock Nut & Washer	

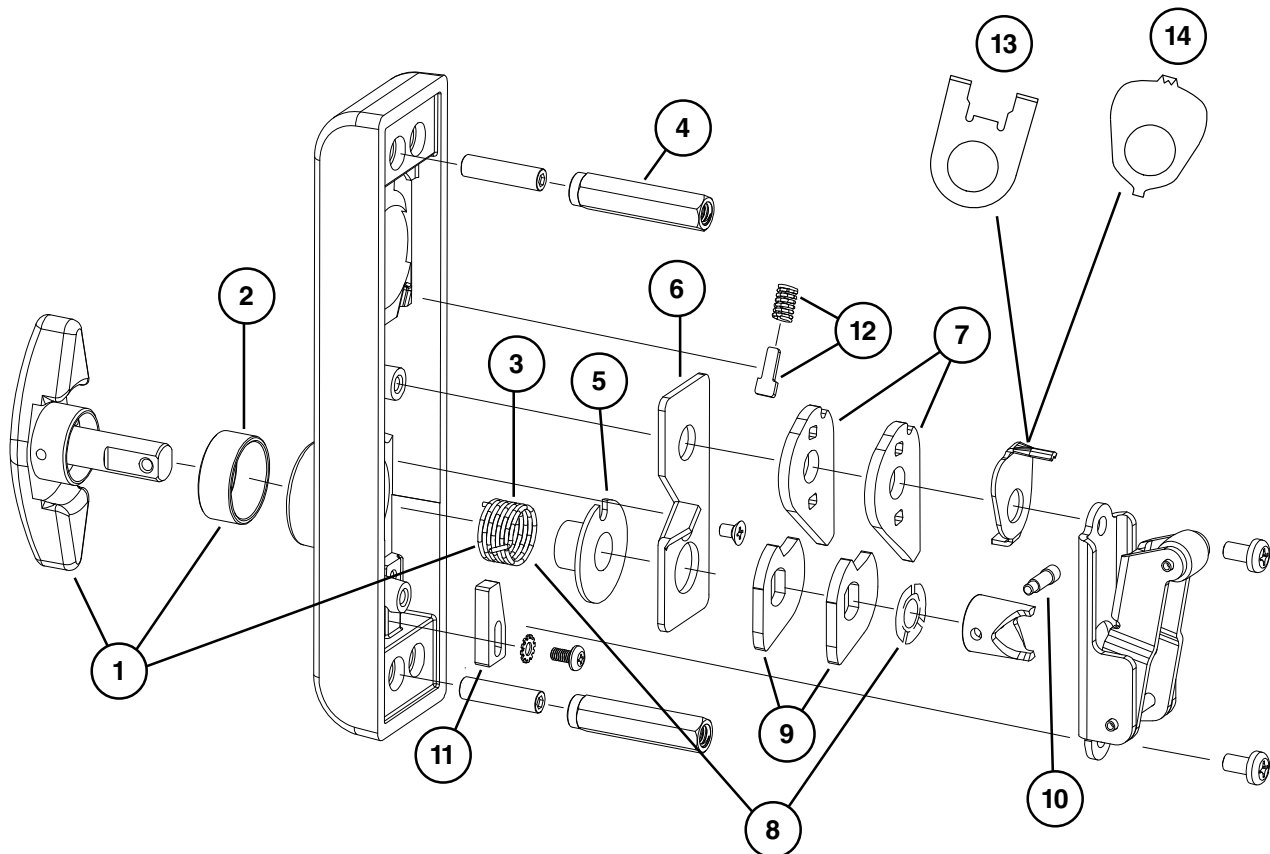
Note: 360 series trims require locknut only, 370 series require washer & locknut



370-T & 370-T-BE CONTROL

Item No.	Quantity	Part No.	Description	Finish
1	1	050592	Thumbturn Kit	X
2	1	050619	Thumbturn Sleeve	
3	1	090092	Lever Control Spring RHR Pkg/4	
4	2	090096	Mounting Stud Pkg/2	
5	1	050621	Washer - Bearing	
6	1	050597	Backplate RHR	
7	2	090090	Cylinder Lock Pkg/2 (Not used on BE)	
8	1	050616	Thumbturn Control Spring & Washer Kit	
9	2	050602	Lever Shaft Lock	
10	1	090097	Cam Retaining Screw Pkg/4	
11	1	050576	Lever Adjustment Block	
12	1	050607	Dogging Spring and Guide Kit (Not used on BE)	
13	1	050599	NL Cylinder Plate (Not used on BE)	
14	1	050600	TL Cylinder Plate (Not used on BE)	

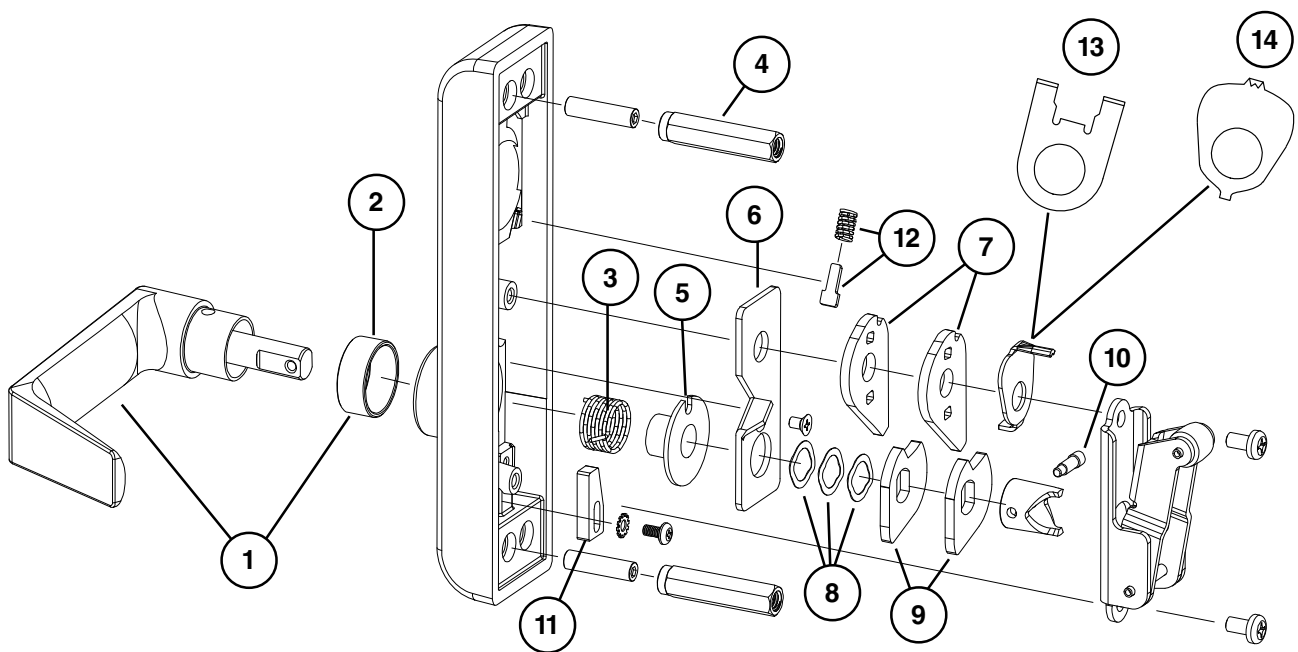
X in "Finish" column designates finished items; finish must be specified when ordering.



370-L & 370-L-BE CONTROL

Item No.	Quantity	Part No.	Description	Finish
1	1	050750	#01 Lever Kit	X
1	1	050752	#02 Lever Kit	X
1	1	050754	#03 Lever Kit	X
1	1	050756	#06 Lever Kit	X
1	1	050758	#07 Lever Kit	X
1	1	050760	#17 Lever Kit	X
1	1	050762	#12 Lever RHR Kit	X
1	1	050764	#12 Lever LHR Kit	X
2	1	050601	Lever Bushing	
3	1	090092	Lever Control Spring RHR Pkg/4	
3	1	090091	Lever Control Spring LHR Pkg/4	
4	2	090096	Mounting Stud Pkg/2	
5	1	050621	Washer - Bearing	
6	1	050597	Backplate RHR	
6	1	050596	Backplate LHR	
7	2	090090	Cylinder Lock Pkg/2 (Not used on BE)	
8	3	090103	Washer - Wave Spring Pkg/10	
9	2	050602	Lever Shaft Lock	
10	1	090097	Cam Retaining Screw Pkg/4	
11	1	050576	Lever Adjustment Block	
12	1	050607	Dogging Spring and Guide Kit (Not used on BE)	
13	1	050599	NL Cylinder Plate (Not used on BE)	
14	1	050600	TL Cylinder Plate (Not used on BE)	

X in "Finish" column designates finished items; finish must be specified when ordering.



370-L-DT & 372-L-DT CONTROL

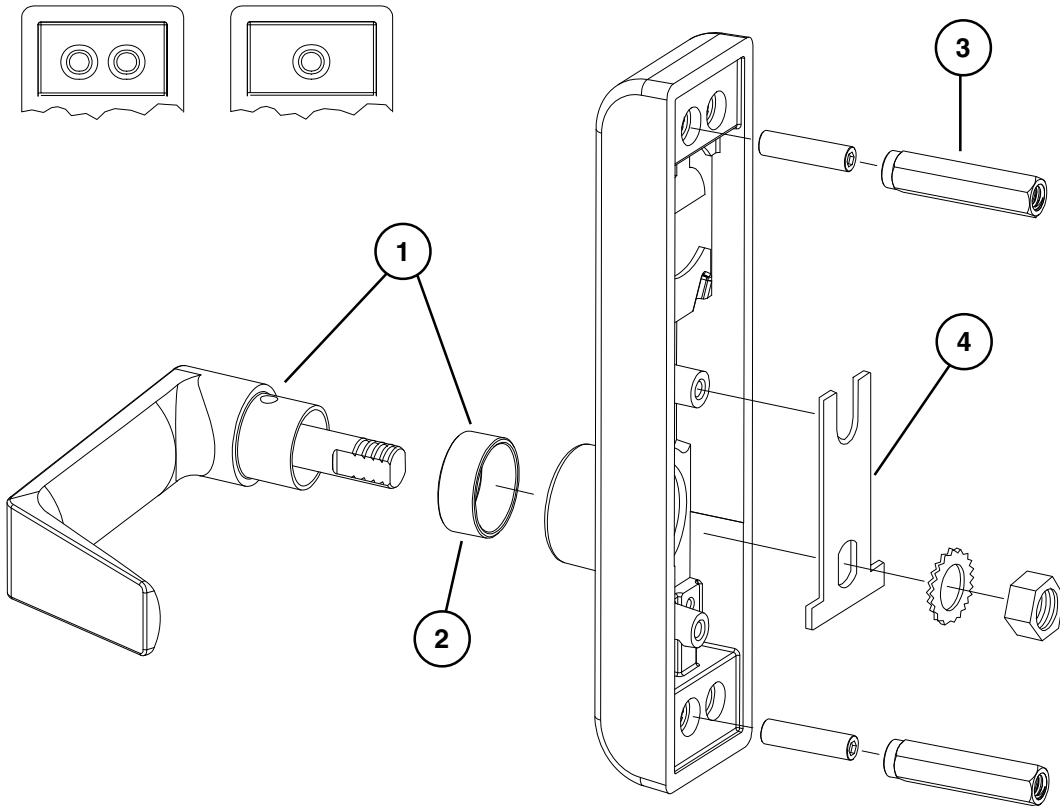
Item No.	Quantity	Part No.	Description	Finish
1	1	050751	#01 DT Lever Kit	X
1	1	050753	#02 DT Lever Kit	X
1	1	050755	#03 DT Lever Kit	X
1	1	050757	#06 DT Lever Kit	X
1	1	050759	#07 DT Lever Kit	X
1	1	050761	#17 DT Lever Kit	X
1	1	050763	#12 DT Lever RHR Kit	X
1	1	050765	#12 DT Lever LHR Kit	X
2	1	050601	Lever Bushing	
3	2	090096	Mounting Stud Pkg/2	
4	1	050598	Backplate - L-DT	

X in "Finish" column designates finished items; finish must be specified when ordering.

372-L-DT

372-L-DT

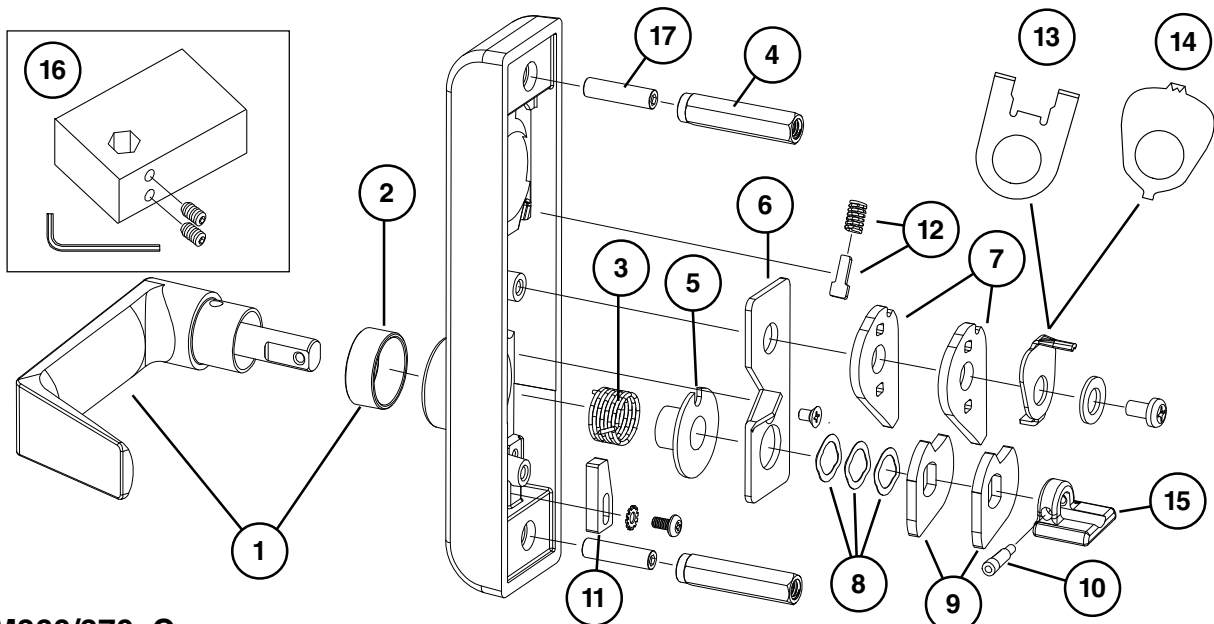
370-L-DT



371-L & 371-L-BE CONTROL

Item No.	Quantity	Part No.	Description	Finish
1	1	050750	#01 Lever Kit	X
1	1	050752	#02 Lever Kit	X
1	1	050754	#03 Lever Kit	X
1	1	050756	#06 Lever Kit	X
1	1	050758	#07 Lever Kit	X
1	1	050760	#17 Lever Kit	X
1	1	050762	#12 Lever RHR Kit	X
1	1	050764	#12 Lever LHR Kit	X
2	1	050601	Lever Bushing	
3	1	090092	Lever Control Spring RHR Pkg/4	
3	1	090091	Lever Control Spring LHR Pkg/4	
4	2	090095	Mounting Stud Pkg/2	
5	1	050621	Washer - Bearing	
6	1	050597	Backplate RHR	
6	1	050596	BackplateLHR	
7	2	090090	Cylinder Lock Pkg/2 (Not used on BE)	
8	3	090103	Washer - Wave Spring Pkg/10	
9	2	050602	Lever Shaft Lock	
10	1	090097	Cam Retaining Screw Pkg/4	
11	1	050576	Lever Adjustment Block	
12	1	050607	Dogging Spring and Guide Kit (Not used on BE)	
13	1	050599	NL Cylinder Plate (Not used on BE)	
14	1	050600	TL Cylinder Plate (Not used on BE)	
15	1	050606	Cam - Vertical Rod	
16	1	109126	371-L Rod Member Kit 1-3/4" Dr	
16	1	109127	371-L Rod Member Kit 2-1/4" Dr	
17	2	963584	Threaded Studs	

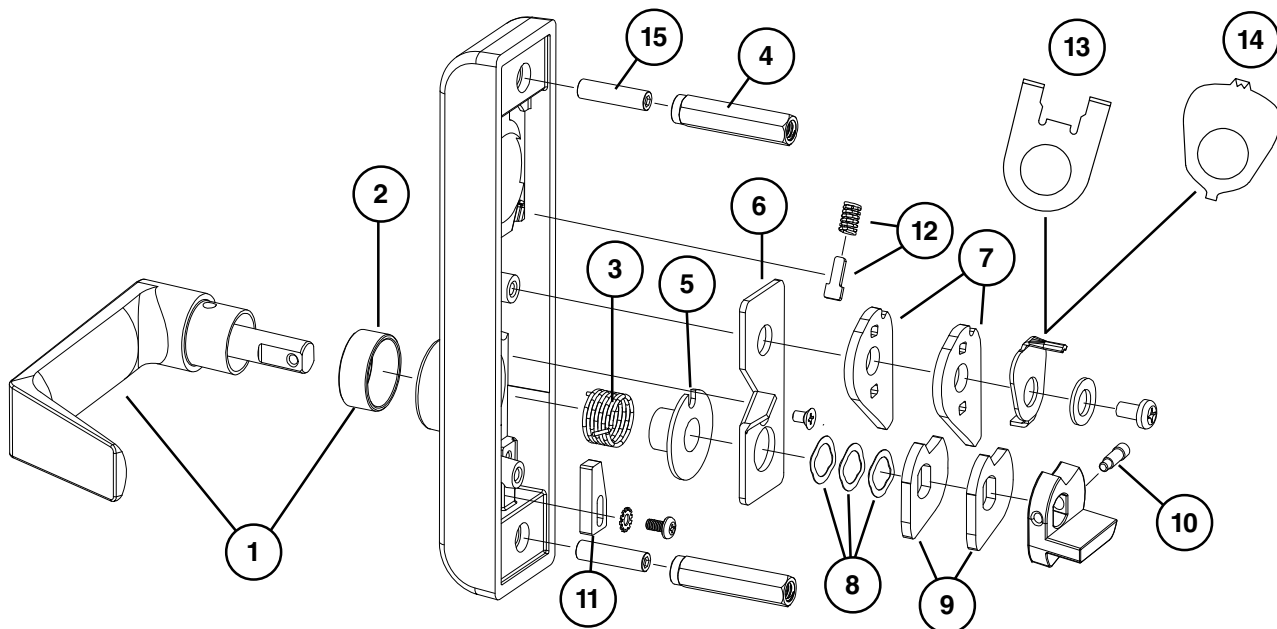
X in "Finish" column designates finished items; finish must be specified when ordering.



372-L & 372-L-BE CONTROL

Item No.	Quantity	Part No.	Description	Finish
1	1	050750	#01 Lever Kit	X
1	1	050752	#02 Lever Kit	X
1	1	050754	#03 Lever Kit	X
1	1	050756	#06 Lever Kit	X
1	1	050758	#07 Lever Kit	X
1	1	050760	#17 Lever Kit	X
1	1	050762	#12 Lever RHR Kit	X
1	1	050764	#12 Lever LHR Kit	X
2	1	050601	Lever Bushing	
3	1	090092	Lever Control Spring RHR Pkg/4	
3	1	090091	Lever Control Spring LHR Pkg/4	
4	2	090096	Mounting Stud Pkg/2	
5	1	050621	Washer - Bearing	
6	1	050597	Backplate RHR	
6	1	050596	BackplateLHR	
7	2	090090	Cylinder Lock Pkg/2 (Not used on BE)	
8	3	090103	Washer - Wave Spring Pkg/10	
9	2	050602	Lever Shaft Lock	
10	1	090097	Cam Retaining Screw Pkg/4	
11	1	050576	Lever Adjustment Block	
12	1	050607	Dogging Spring and Guide Kit (Not used on BE)	
13	1	050599	NL Cylinder Plate (Not used on BE)	
14	1	050600	TL Cylinder Plate (Not used on BE)	
15	2	963584	Threaded Studs	

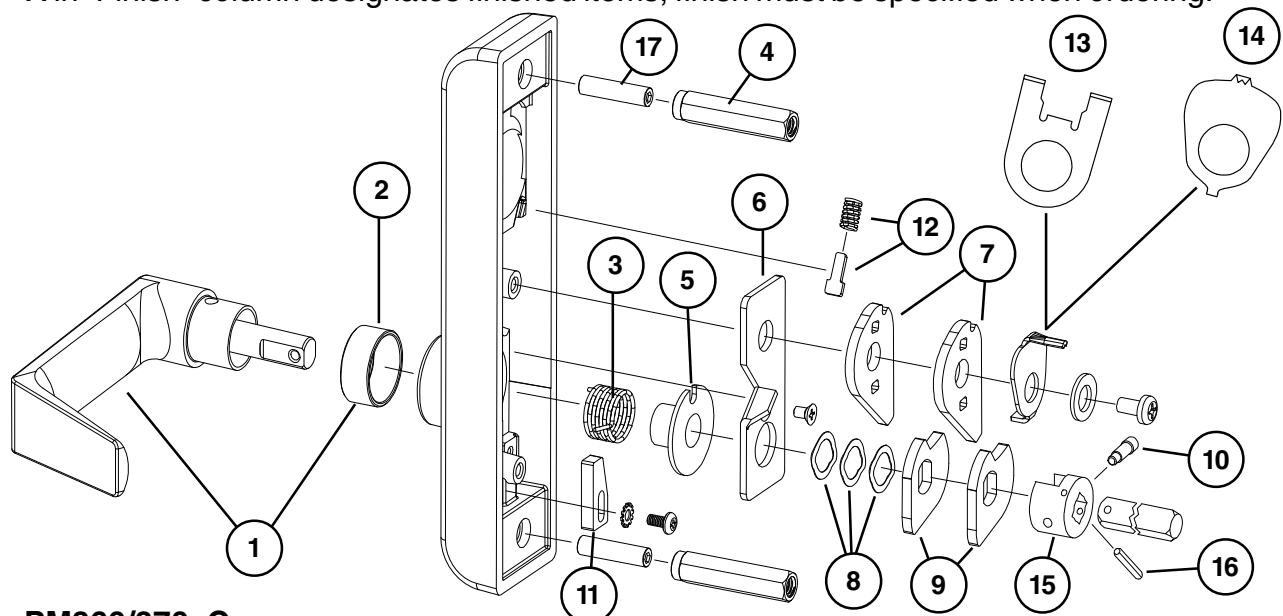
X in "Finish" column designates finished items; finish must be specified when ordering.



373-L & 373-L-BE CONTROL

Item No.	Quantity	Part No.	Description	Finish
1	1	050750	#01 Lever Kit	X
1	1	050752	#02 Lever Kit	X
1	1	050754	#03 Lever Kit	X
1	1	050756	#06 Lever Kit	X
1	1	050758	#07 Lever Kit	X
1	1	050760	#17 Lever Kit	X
1	1	050762	#12 Lever RHR Kit	X
1	1	050764	#12 Lever LHR Kit	X
2	1	050601	Lever Bushing	
3	1	090092	Lever Control Spring RHR Pkg/4	
3	1	090091	Lever Control Spring LHR Pkg/4	
4	2	090095	Mounting Stud Pkg/2	
5	1	050621	Washer - Bearing	
6	1	050597	Backplate RHR	
6	1	050596	BackplateLHR	
7	2	090090	Cylinder Lock Pkg/2 (Not used on BE)	
8	3	090103	Washer - Wave Spring Pkg/10	
9	2	050602	Lever Shaft Lock	
10	1	090097	Cam Retaining Screw Pkg/4	
11	1	050576	Lever Adjustment Block	
12	1	050607	Dogging Spring and Guide Kit (Not used on BE)	
13	1	050599	NL Cylinder Plate (Not used on BE)	
14	1	050600	TL Cylinder Plate (Not used on BE)	
15	1	050609	Mortise Adaptor	
16	1	090098	Pin - Spiral 3/32 x 19/32 Pkg/4	
17	2	963584	Threaded Studs	

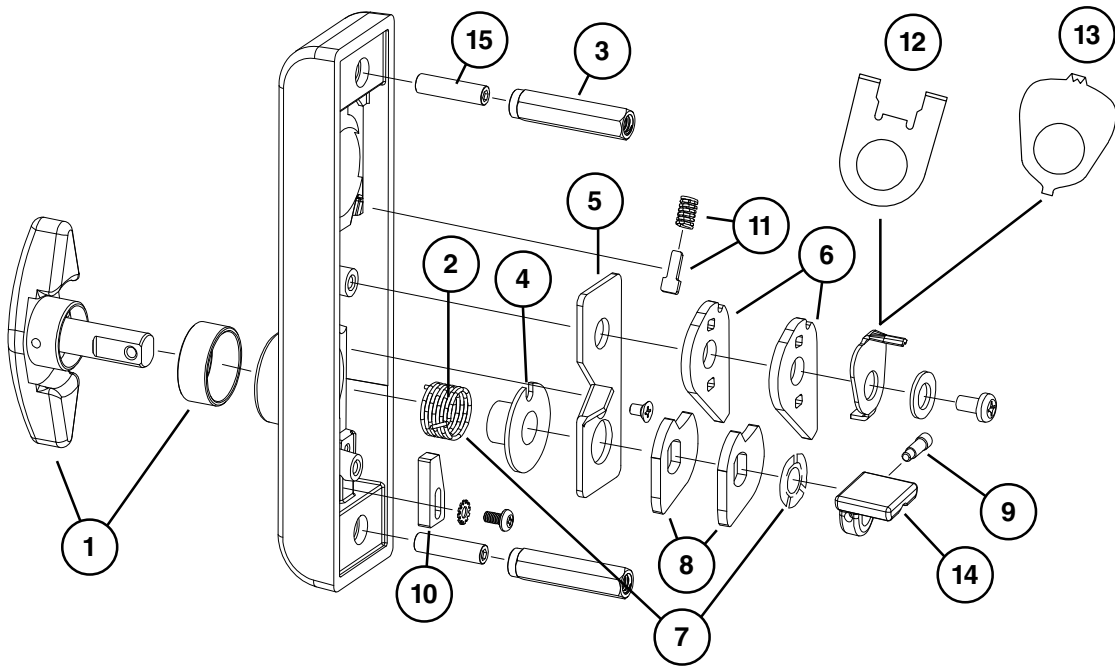
X in "Finish" column designates finished items; finish must be specified when ordering.



374-T, 374-T-BE, 376-T, 376-T-BE, 376-T-WDC & 376-T-WDC-BE CONTROL

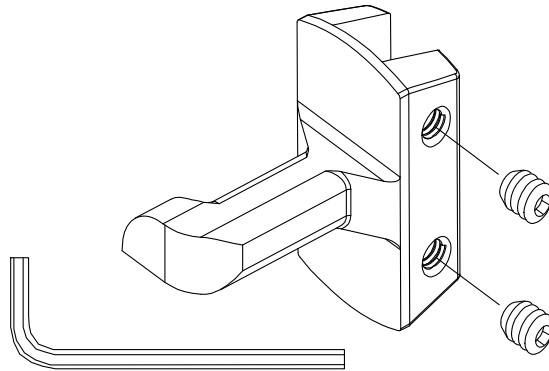
Item No.	Quantity	Part No.	Description	Finish
1	1	050592	Thumbtum Kit	X
2	1	090092	Lever Control Spring RHR Pkg/4	
3	1	090091	Lever Control Spring LHR Pkg/4	
3	2	090096	Mounting Stud Pkg/2	
4	1	050621	Washer - Bearing	
5	1	050597	Backplate RHR	
5	1	050596	BackplateLHR	
6	2	090090	Cylinder Lock Pkg/2 (Not used on BE)	
7	1	050616	Thumbturn Control Spring & Washer Kit	
8	2	050602	Lever Shaft Lock	
9	1	090097	Cam Retaining Screw Pkg/4	
10	1	050576	Lever Adjustment Block	
11	1	050607	Dogging Spring and Guide Kit (Not used on BE)	
12	1	050599	NL Cylinder Plate (Not used on BE)	
13	1	050600	TL Cylinder Plate (Not used on BE)	
14	1	050606	Cam - Vertical Rod	
15	2	963584	Threaded Studs	

X in "Finish" column designates finished items; finish must be specified when ordering.



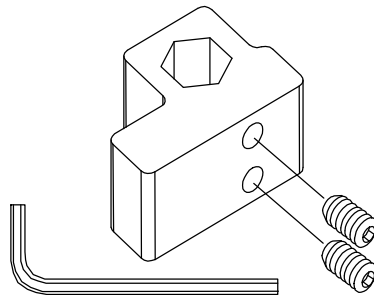
374-T & 374-T-BE ROD MEMBER KITS

Item No.	Quantity	Part No.	Description	Finish
16	1	109366	374-T Rod Member Kit 1-3/4" Dr.	X
16	1	109367	374-T Rod Member Kit 2-1/4" Dr.	X



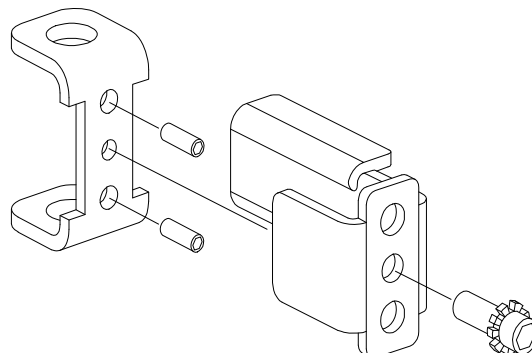
376-T & 376-T-BE ROD MEMBER KITS

Item No.	Quantity	Part No.	Description	Finish
17	1	109112	376-T Rod Member Kit 1-3/4" Dr.	X
17	1	109115	376-T Rod Member Kit 2-1/4" Dr.	X



376-T-WDC & 376-T-WDC-BE ROD MEMBER KITS

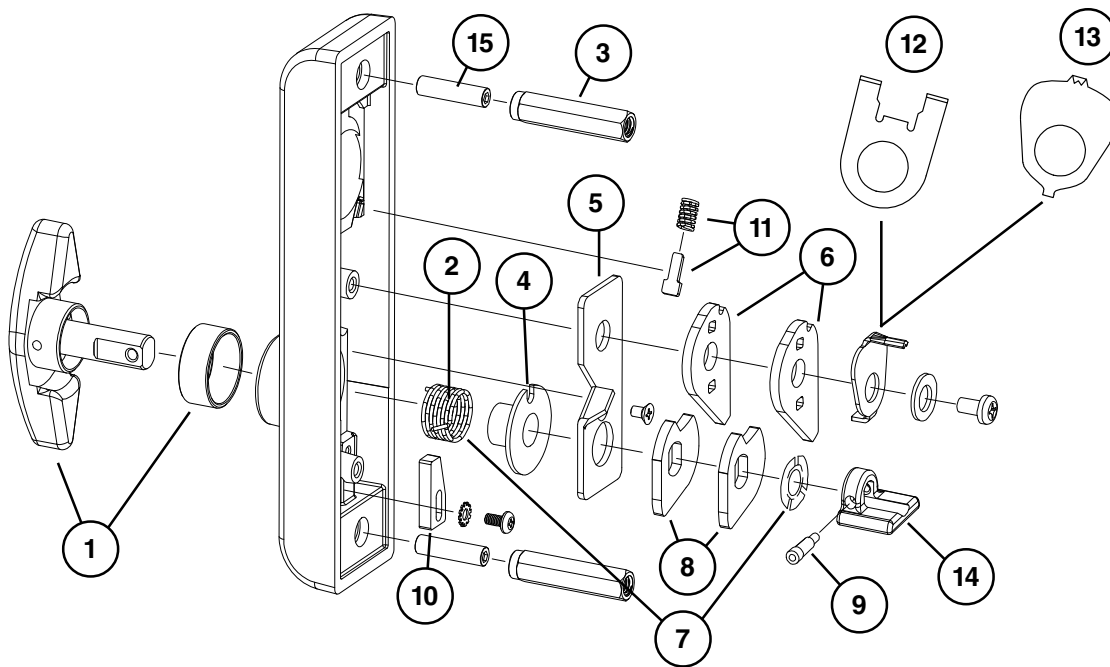
Item No.	Quantity	Part No.	Description	Finish
18	1	900558	376-T-WDC Rod Member Kit 1-3/4" Dr.	
18	1	900559	376-T -WDC Rod Member Kit 2-1/4" Dr.	



377-T & 377-T-BE CONTROL

Item No.	Quantity	Part No.	Description	Finish
1	1	050592	Thumbturn Kit	X
2	1	090092	Lever Control Spring RHR Pkg/4	
2	1	090091	Lever Control Spring LHR Pkg/4	
3	2	090096	Mounting Stud Pkg/2	
4	1	050621	Washer - Bearing	
5	1	050597	Backplate RHR	
5	1	050596	BackplateLHR	
6	2	090090	Cylinder Lock Pkg/2 (Not used on BE)	
7	1	050616	Thumbturn Control Spring & Washer Kit	
8	2	050602	Lever Shaft Lock	
9	1	090097	Cam Retaining Screw Pkg/4	
10	1	050576	Lever Adjustment Block	
11	1	050607	Dogging Spring and Guide Kit (Not used on BE)	
12	1	050599	NL Cylinder Plate (Not used on BE)	
13	1	050600	TL Cylinder Plate (Not used on BE)	
14	1	050606	Cam - Vertical Rod	
15	2	963584	Threaded Studs	

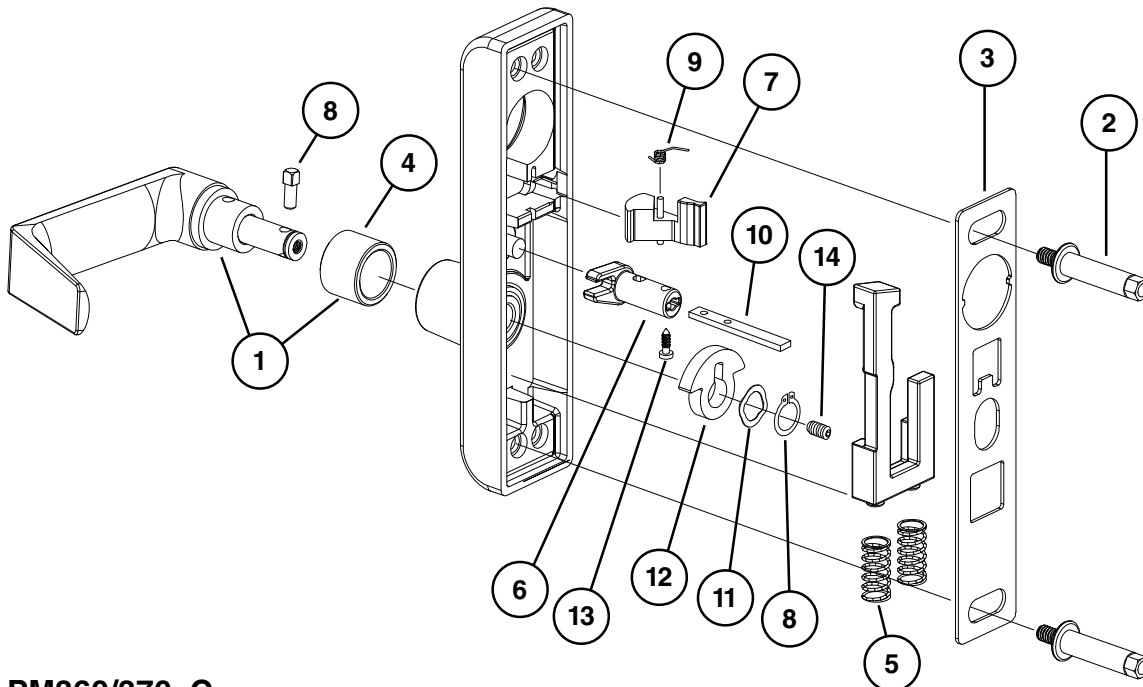
X in "Finish" column designates finished items; finish must be specified when ordering.



360-L & 360-L-BE CONTROL

Item No.	Quantity	Part No.	Description	Finish
1	1	050001	#01 Lever Kit	X
1	1	050002	#02 Lever Kit	X
1	1	050003	#03 Lever Kit	X
1	1	050008	#05 Lever Kit	X
1	1	050006	#06 Lever Kit	X
1	1	050007	#07 Lever Kit	X
1	1	050012	#12 Lever RHR Kit	X
1	1	050013	#12 Lever LHR Kit	X
1	1	050009	#16 Lever Kit	X
1	1	050017	#17 Lever Kit	X
1	1	050010	#18 Lever Kit	X
2	2	090094	Mounting Stud Pkg/2	
3	1	050595	Backplate	
4	1	050579	Lever Bushing	
5	2	090093	Lever Return Spring Pkg/2	
6	1	050605	Cam - Output	
7	1	050608	Locking Member (Not used on BE)	
8	1	050611	Shear Pin Kit	
9	1	050615	Spring - Locking Torsion (Not used on BE)	
10	1	050587	Tailpiece	
11	1	090103	Washer - Wave Spring Pkg/10	
12	1	050604	Cam - Input	
13	1	090099	Pine Tree Clip Pkg/10	
14	1	090101	Socket Set Screw 10-32 x 1/4 Pkg/10	

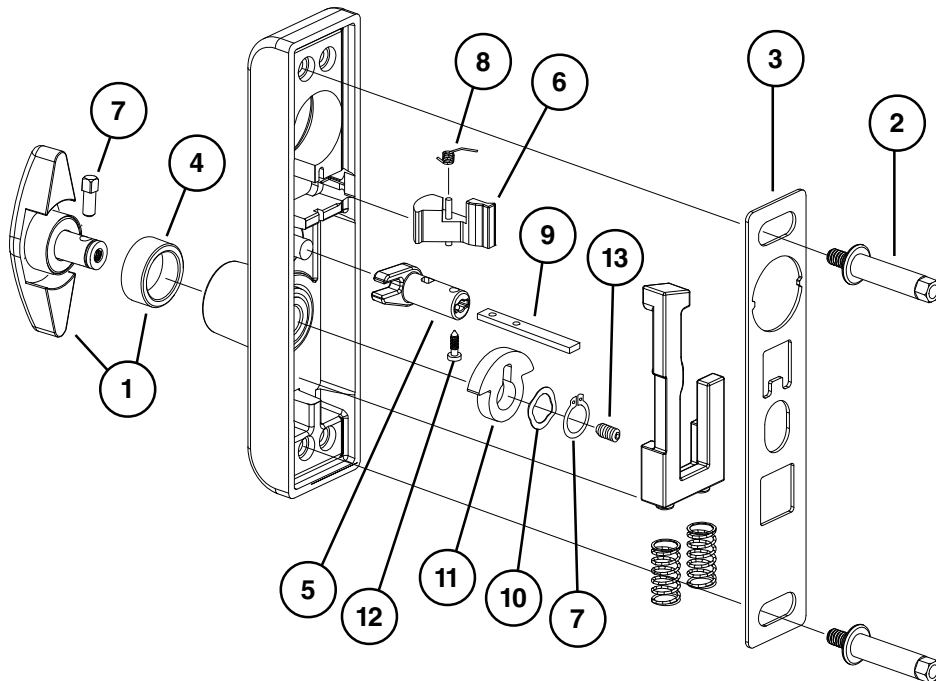
X in "Finish" column designates finished items; finish must be specified when ordering.



360-T & 360-T-BE CONTROL

Item No.	Quantity	Part No.	Description	Finish
1	1	050593	Thumbturn Kit	X
2	2	090094	Mounting Stud Pkg/2	
3	1	050595	Backplate	
4	1	050579	Lever Bushing	
5	1	050605	Cam - Output	
6	1	050608	Locking Member (Not used on BE)	
7	1	050611	Shear Pin Kit	
8	1	050615	Spring - Locking Torsion (Not used on BE)	
9	1	050587	Tailpiece	
10	1	090103	Washer - Wave Spring Pkg/10	
11	1	050604	Cam - Input	
12	1	090099	Pine Tree Clip Pkg/10	
13	1	090101	Socket Set Screw 10-32 x 1/4 Pkg/10	

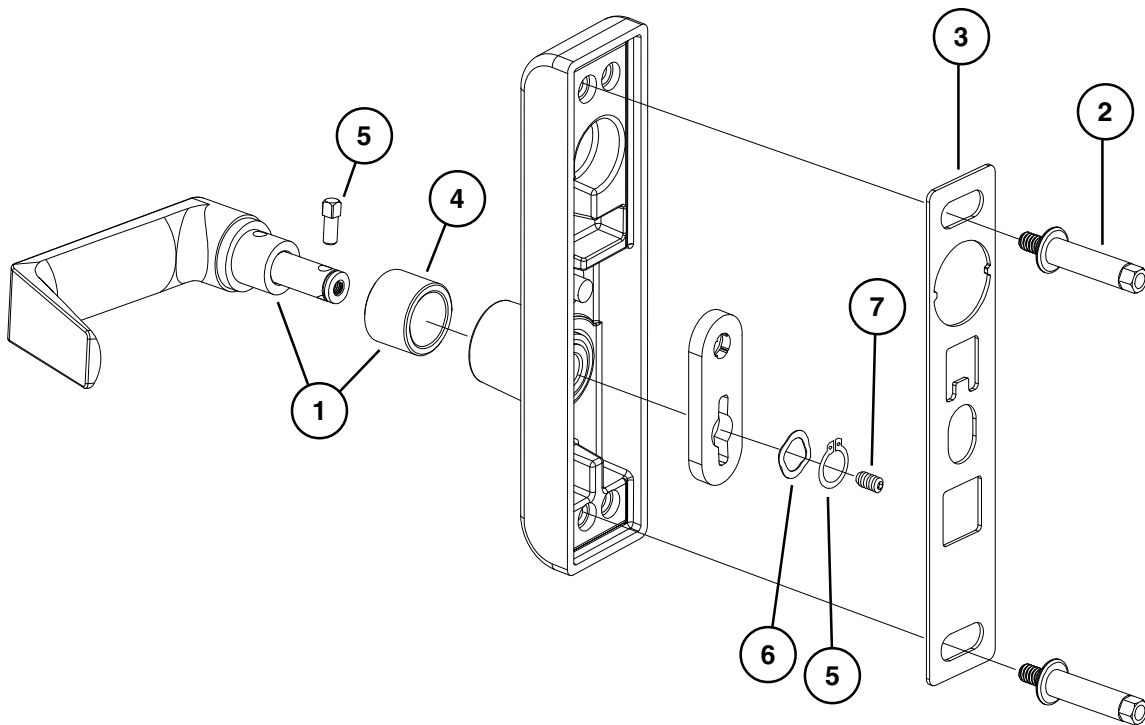
X in "Finish" column designates finished items; finish must be specified when ordering.



360-L-DT CONTROL

Item No.	Quantity	Part No.	Description	Finish
1	1	050001	#01 Lever Kit	X
1	1	050002	#02 Lever Kit	X
1	1	050003	#03 Lever Kit	X
1	1	050008	#05 Lever Kit	X
1	1	050006	#06 Lever Kit	X
1	1	050007	#07 Lever Kit	X
1	1	050012	#12 Lever RHR Kit	X
1	1	050013	#12 Lever LHR Kit	X
1	1	050009	#16 Lever Kit	X
1	1	050017	#17 Lever Kit	X
1	1	050010	#18 Lever Kit	X
2	2	090094	Mounting Stud Pkg/2	
3	1	050595	Backplate	
4	1	050579	Lever Bushing	
5	1	050611	Shear Pin Kit	
6	1	090103	Washer - Wave Spring Pkg/10	
7	1	090101	Socket Set Screw 10-32 x 1/4 Pkg/10	

X in "Finish" column designates finished items; finish must be specified when ordering.



E360-L-BE CONTROL

Item No.	Quantity	Part No.	Description	Finish
1	1	050001	#01 Lever Kit	X
1	1	050002	#02 Lever Kit	X
1	1	050003	#03 Lever Kit	X
1	1	050008	#05 Lever Kit	X
1	1	050006	#06 Lever Kit	X
1	1	050007	#07 Lever Kit	X
1	1	050012	#12 Lever RHR Kit	X
1	1	050013	#12 Lever LHR Kit	X
1	1	050009	#16 Lever Kit	X
1	1	050017	#17 Lever Kit	X
1	1	050010	#18 Lever Kit	X
2	2	090094	Mounting Stud Pkg/2	
3	1	050595	Backplate	
4	1	050579	Lever Bushing	
5	2	090093	Lever Return Spring Pkg/2	
6	1	050605	Cam - Output	
7	1	050608	Locking Member (Not used on BE)	
8	1	050611	Shear Pin Kit	
9	1	050615	Spring - Locking Torsion (Not used on BE)	
10	1	050587	Tailpiece	
11	1	090103	Washer - Wave Spring Pkg/10	
12	1	050604	Cam - Input	
13	1	090099	Pine Tree Clip Pkg/10	
14	1	090101	Socket Set Screw 10-32 x 1/4 Pkg/10	

X in "Finish" column designates finished items; finish must be specified when ordering.

