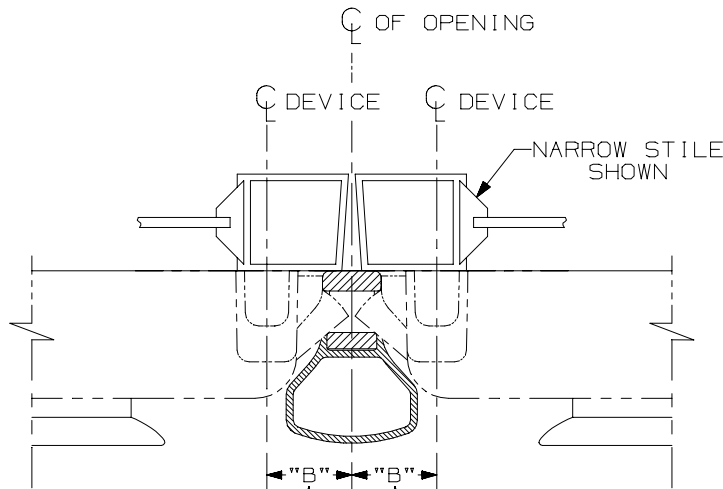


SINGLE DOOR INSTALLATION		
STRIKE	DIMENSION "B"	RECOMMENDED MIN. STILE*
299	1 21/32"	2 7/8"
1439	27/32"	2"
1410	27/32"	2"

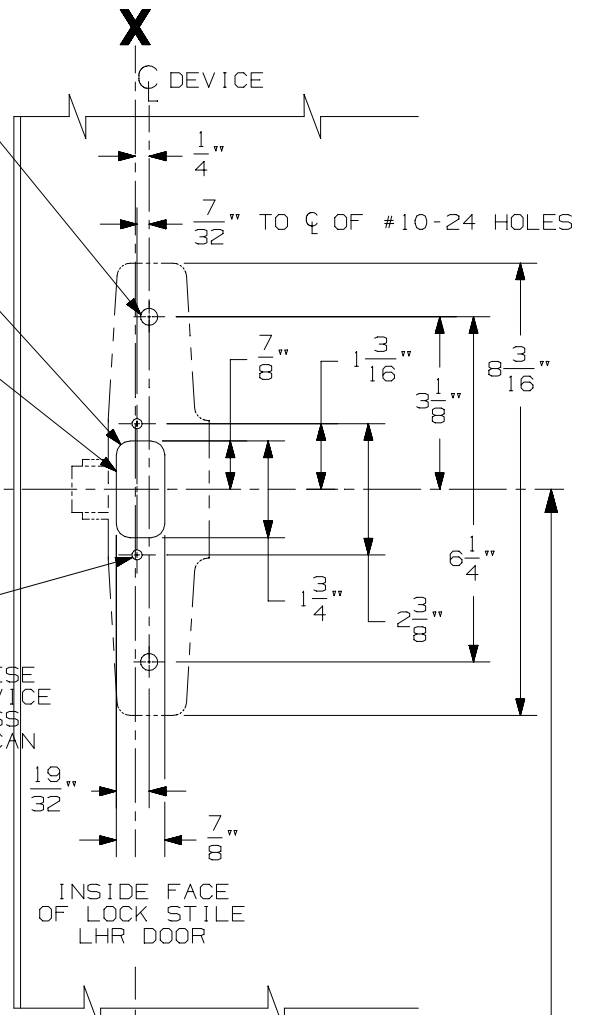
USE OF OUTSIDE TRIM MAY ALTER MINIMUM STILE REQUIREMENT. SEE TRIM TEMPLATE.

#10-24 UNC-2B INSIDE FACE ONLY 2 HOLES DO NOT PREPARE THESE HOLES PRIOR TO DEVICE INSTALLATION UNLESS $\pm 1/64$ " TOLERANCE CAN BE MAINTAINED



DOUBLE DOOR INSTALLATION WITH VON DUPRIN MULLIONS			
MULLION	STRIKE	DIMENSION "B"	RECOMMENDED MIN. STILE*
4954	299	2 21/32"	3 3/8"
1654	1606	2 7/32"	2 15/16"
5654	299	2 3/16"	2 15/16"
5754	1408	1 3/8"	2"

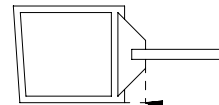
USE OF OUTSIDE TRIM MAY ALTER MINIMUM STILE REQUIREMENT. SEE TRIM TEMPLATE.



SINGLE DOOR OPENING 39 13/16" TO FINISHED FLOOR.

DOUBLE DOOR OPENING WITH VON DUPRIN MULLION 39 11/16"

MINIMUM STILE IS OVERALL STILE WIDTH LESS GLASS STOP



RECTANGULAR GLASS STOP RECOMMENDED FOR STILE WIDTH LESS THAN 2 1/8"

* CONSULT FACTORY FOR STILE WIDTHS LESS THAN MIN. RECOMMENDED TO ENSURE PROPER APPLICATION

FOR OUTSIDE TRIM PREPARATION, WHEN REQUIRED, SEE TRIM TEMPLATE.

33/35A Series Rim Devices

VON DUPRIN®

NOTES: SEE MASTER SHEET #10001 FOR SUGGESTED REINFORCING

TEMPLATE NUMBER:

10048_a

DATE: 05-15-13