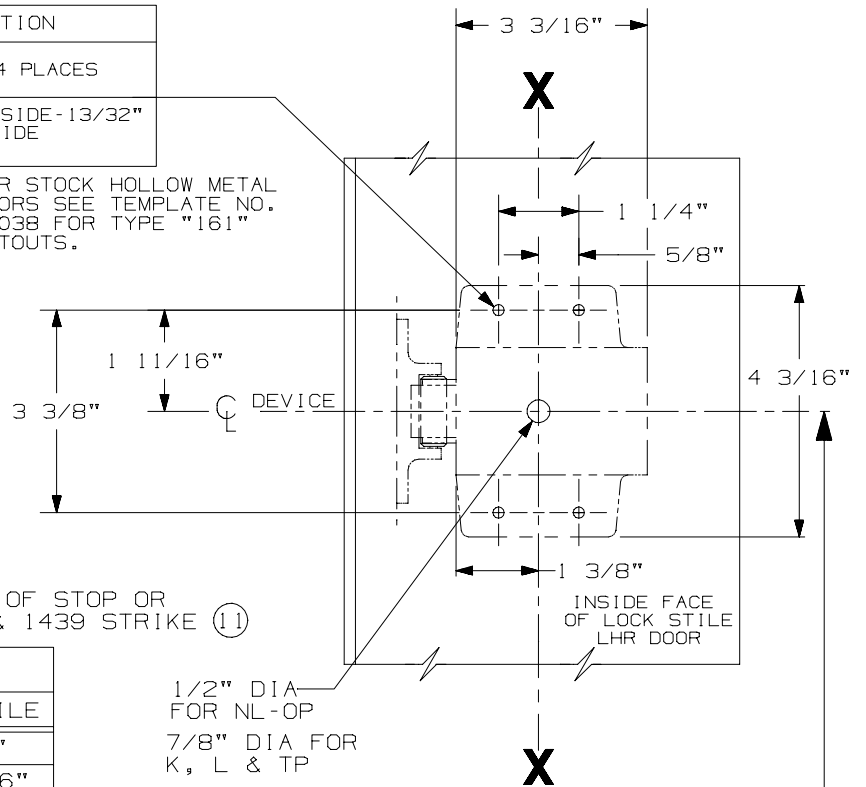
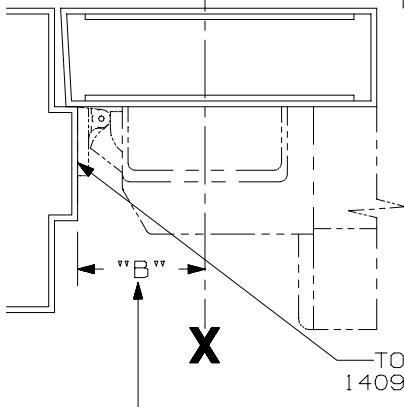


| APPLICATION | PREPARATION |
|---|---|
| SURFACE APPLICATION OR 990 TRIM APPLICATION | #10-24 TAP 4 PLACES |
| 210 TRIM APPLICATION OR SEXBOLT APPLICATION | 1/4" DIA THIS SIDE-13/32" DIA OPPOSITE SIDE 4 PLACES |

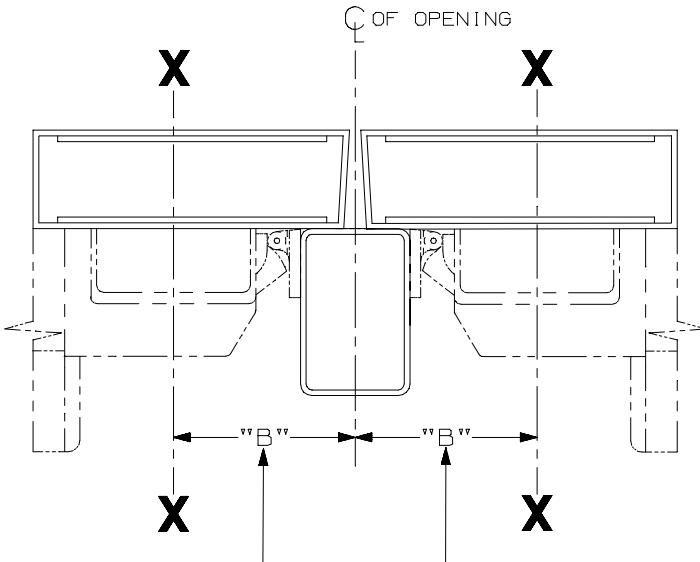
NOTE: FOR STOCK HOLLOW METAL DOORS SEE TEMPLATE NO. 10038 FOR TYPE "161" CUTOUTS.



| SINGLE DOOR INSTALLATION | | |
|--------------------------|----------|------------|
| STRIKE | DIM "B" | MIN. STILE |
| 299 & 299F | 2 3/8" | 4 3/8" |
| 1409 & 1439 | 1 9/16" | 3 13/16" |
| 1606 | 1 15/16" | 3 15/16" |

(11)

1/2" DIA FOR NL-OP
7/8" DIA FOR K, L & TP



REMOVE GLASS STOP HEAD OR BEAD IN AREA OF DEVICE IF REQUIRED.

LHR SHOWN
RHR OPPOSITE

SINGLE DOOR OPENING
39 13/16" TO FINISHED FLOOR

DOUBLE DOOR OPENING
WITH VON DUPRIN MULLION
39 11/16"

| DOUBLE DOOR INSTALLATION WITH VON DUPRIN MULLIONS | | | |
|---|--------|----------|------------|
| MULLION | STRIKE | DIM. "B" | MIN. STILE |
| 4954 | 299 | 3 3/8" | 4 3/4" |
| 9954 | 499-F | 3 1/2" | 4 7/8" |
| 5654 | 299 | 2 15/16" | 4 1/4" |
| 5754 | 1408 | 2 1/8" | 3 13/16" |
| 1654 | 1606 | 2 15/16" | 4 1/4" |

IT IS RECOMMENDED THE MOUNTING HOLES BE PREPARED IN THE FIELD

FOR OUTSIDE TRIM PREPARATION, WHEN REQUIRED, SEE ADDITIONAL TRIM TEMPLATE.

22 NL, K, L, TP, NL-F, K-F, L-F, & TP-F Series Rim Devices

VON DUPRIN®

NOTES: SEE MASTER SHEET #10001 FOR SUGGESTED REINFORCING

TEMPLATE NUMBER:

10012_a

DATE:
05-15-13