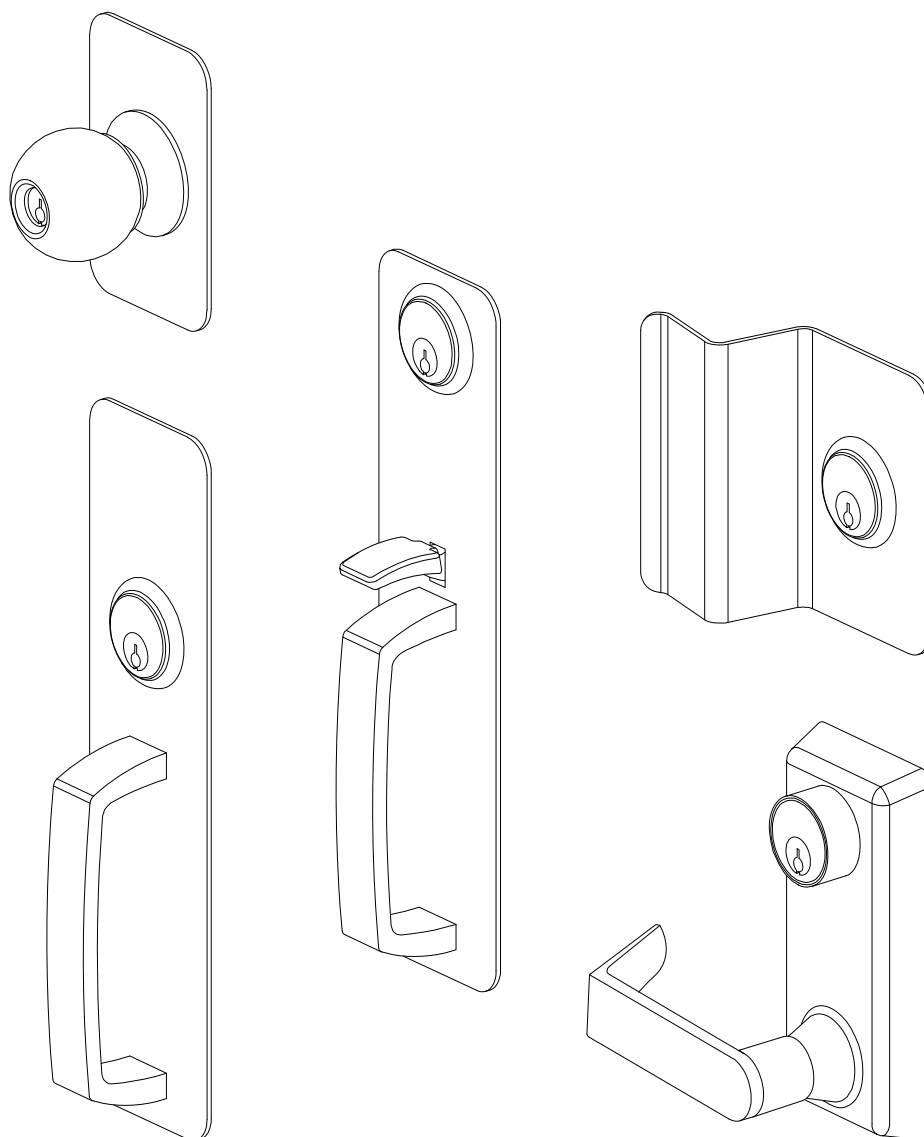


VON DUPRIN®

PARTS MANUAL

110, 210, AND 230 SERIES TRIM



PM210_B
VD-5562

IR Ingersoll Rand
Security Technologies

Copyright © 2013 Ingersoll-Rand. All rights reserved.

Rev: 6/13-b

INDEX

General Information

Introduction	2
How to Order	2
Part Number Changes	2
110, 210, 230 Series Trim Finishes	2

110, 210, 230 Series Trim Parts

110NL-MD	3
210NL	3
210K	4
210K-BE	4
230NL	5
230DT	5
230TP	6
230TP-BE	7
230L	8

INTRODUCTION

This manual contains a listing of replaceable parts and assemblies for the 110, 210, and 230 Series Trim.

HOW TO ORDER

Some parts are sold separately. Other items are available as part of a kit or multiple quantity package. For the best possible service when ordering replacement parts or assemblies, please provide the following information:

- Part number or assembly number
- Description
- Quantity needed
- Finish desired (if available finished)
- Date of original purchase (if known)

To find out the name of your local Von Duprin distributor or sales representative, contact:

Von Duprin Division
Ingersoll-Rand Company
2720 Tobey Drive
Indianapolis, Indiana 46219
Phone: (800) 999-0408
Fax: (800) 999-0328

PART NUMBER CHANGES

This manual reflects the product as sold in July 2009. Because of changes to the product and/or manufacturing process, part numbers can change.

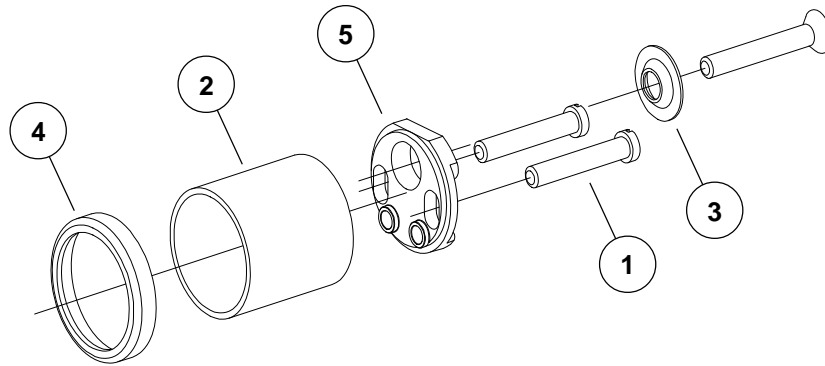
110, 210, 230 SERIES TRIM FINISHES

US Number	BHMA Number	Color
SP28	689	Aluminum (laquered)
SP313	695	Bronze, dark (painted)

110NL-MD PARTS

Item No.	Part No.	Description	Quantity	Finish
1	959055	550/555/556 Special Cylinder Screw - 1-3/4" Door	1	
1	959056	550/555/556 Special Cylinder Screw - 2-1/4" Door	1	
2	960060	110NL Cylinder Spacer Collar	1	
3	961180	110NL Cylinder Assembly Countersink Washer	1	
4	967291	110NL-MD Cylinder Collar	1	X
5	971593	110NL Cylinder Assembly Cylinder Disc	1	

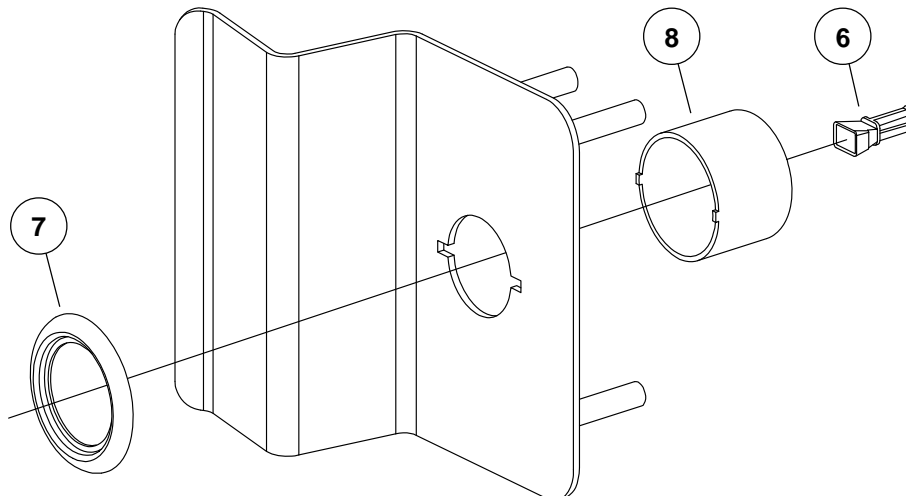
X in "Finish" column designates finished item; specify finish when ordering.



210NL PARTS

Item No.	Part No.	Description	Quantity	Finish
6	050156	Tailpiece Guide Lead Kit	10	
7	965226	Cylinder Collar	1	X
8	968201	210/230 Cylinder Retaining Cup	1	

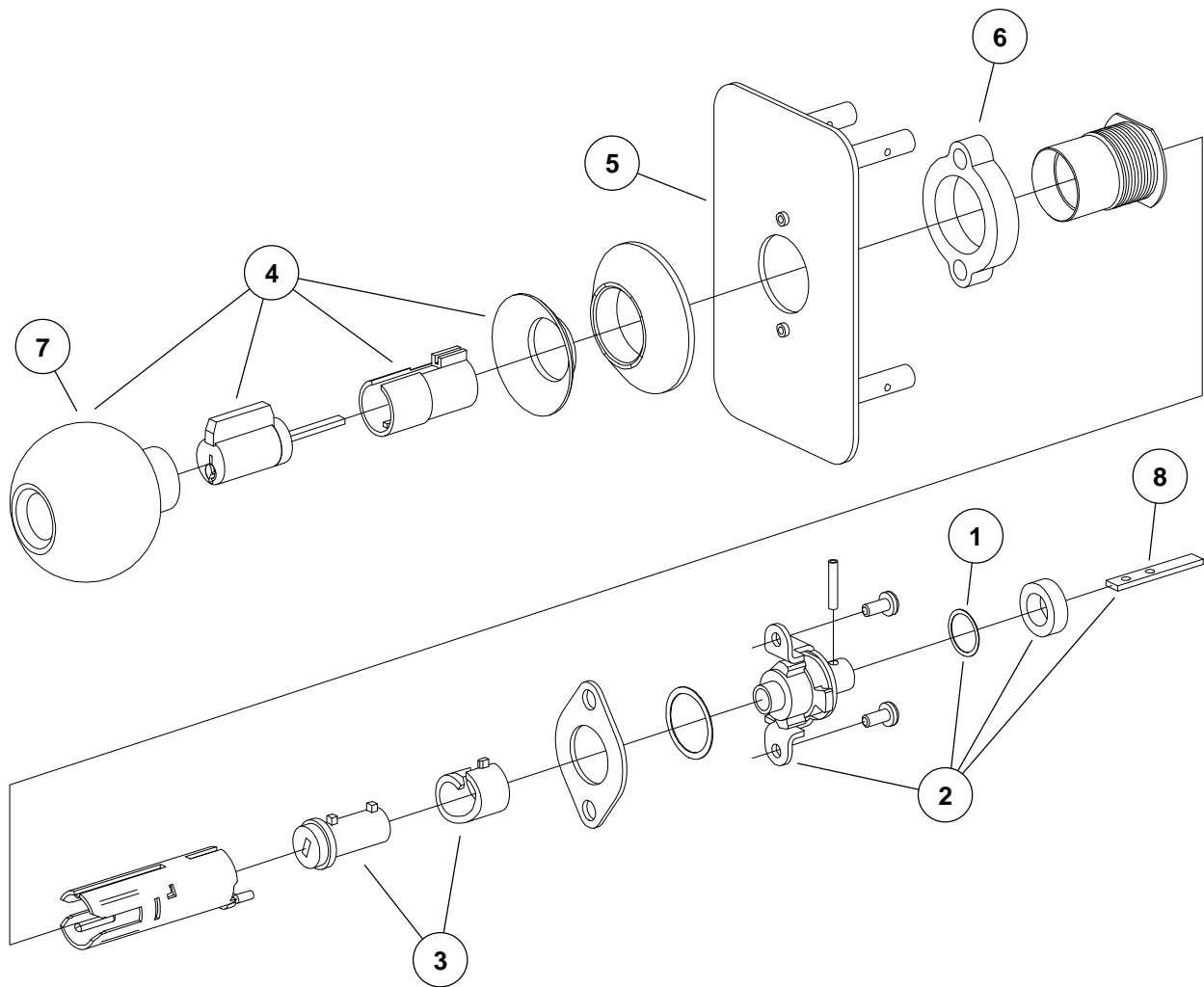
X in "Finish" column designates finished item; specify finish when ordering.



210K, 210K-BE PARTS

Item No.	Part No.	Description	Quantity	Finish
1	090103	210K Wave Spring Washer Pkg.	10	
2	109871	210K Bracket & Booster Assembly	1	
3	109872	210K Spiral Cam Sub-Assembly	1	
4	109873	210K Cylinder Knob Sub-Assembly	1	X
5	109879	210K Trim Sub-Assembly	1	X
6	969140	210K Knob Spacer	1	
7	969157	210K Knob	1	X
7	969352	210K-BE Knob	1	X
8	970979	210K/L Spindle Shaft	1	

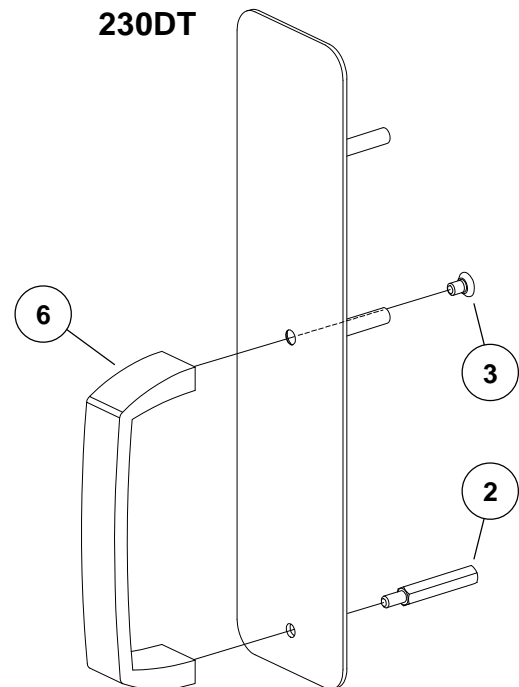
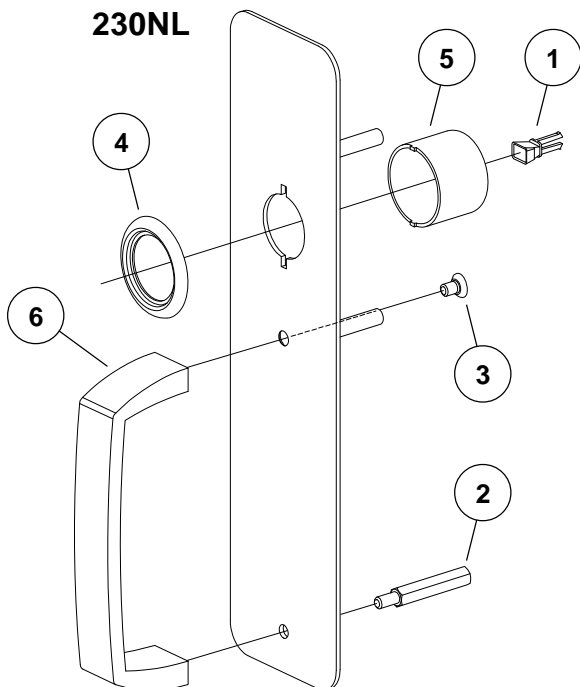
X in "Finish" column designates finished item; specify finish when ordering.



230NL, 230DT PARTS

Item No.	Part No.	Description	Quantity	Finish
	050140	230DT x 330/350 Screw Pkg. 1-3/4" Door		X
		#12 Countersink Washer	1	
		12-24 x 3/4" OPHMS	1	
		#10 Countersink Washer	4	
		10-24 x 3/4" OPHMS	4	
	050141	230DT x 330/350 Screw Pkg. 1-3/4" Door		X
		#12 Countersink Washer	1	
		12-24 x 1-1/4" OPHMS	1	
		#10 Countersink Washer	4	
		10-24 x 1-1/4" OPHMS	4	
1	050156	Tailpiece Guide Lead Kit	10	
2	956760	Hex Stud	1	
3	963579	12-24 x 3/8" UFPHMS	1	
4	965226	Cylinder Collar	1	X
5	968201	210/230 Cylinder Retaining Cup	1	
6	969925	230 Pull Grip	1	X

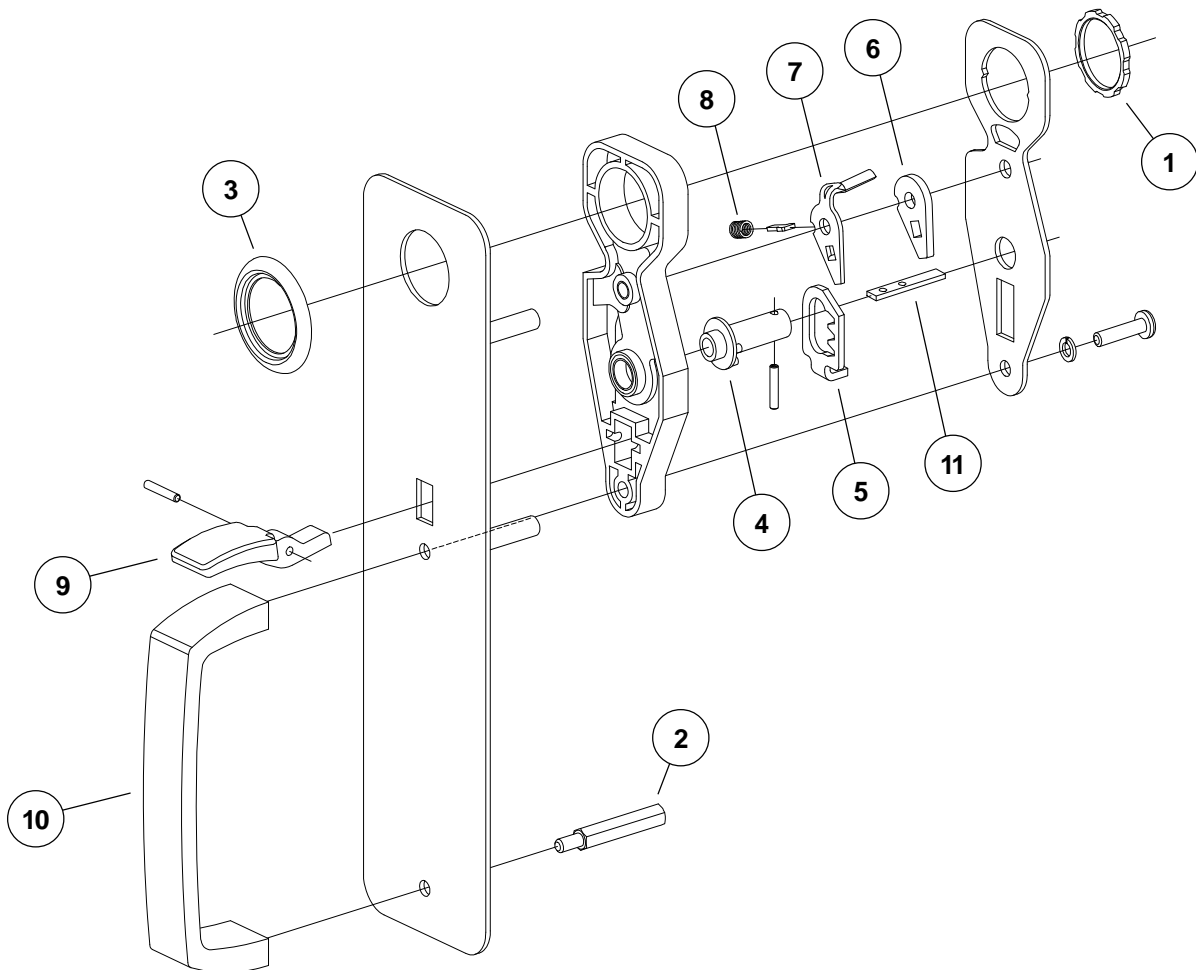
X in "Finish" column designates finished item; specify finish when ordering.



230TP PARTS

Item No.	Part No.	Description	Quantity	Finish
1	050526	230L Cylinder Locknut	1	
2	956760	Hex Stud	1	
3	965226	Cylinder Collar	1	X
4	969903	230TP Cam	1	
5	969904	230TP Slider	1	
6	969906	230TP Locking Cam	1	
7	969908	230TP Locking Cam Latch	1	
8	969909	230TP Compression Spring	1	
9	969910	230TP Thumbpiece	1	X
10	969925	230 Pull Grip	1	X
11	970979	210K/L Spindle Shaft	1	

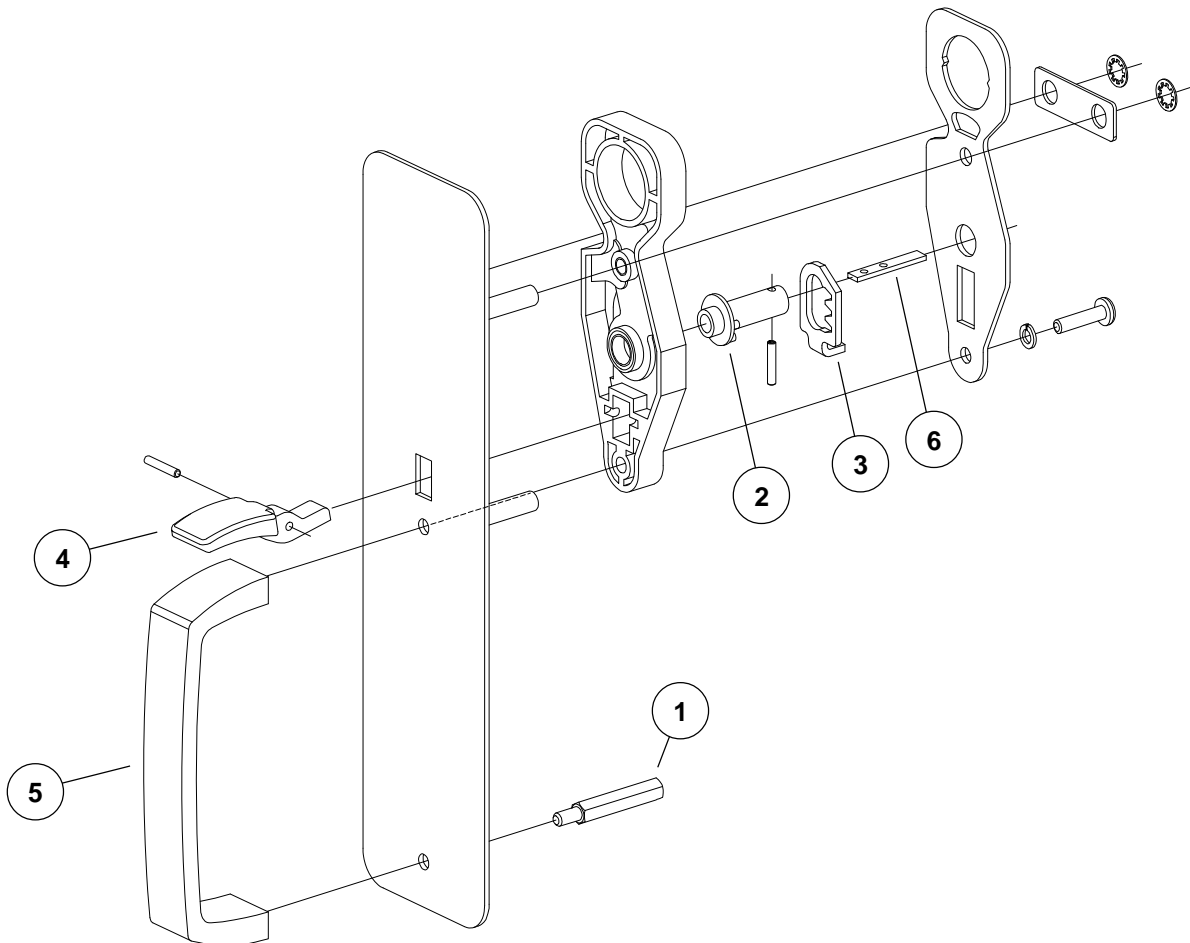
X in "Finish" column designates finished item; specify finish when ordering.



230TP-BE PARTS

Item No.	Part No.	Description	Quantity	Finish
1	956760	Hex Stud	1	
2	969903	230TP Cam	1	
3	969904	230TP Slider	1	
4	969910	230TP Thumbpiece	1	X
5	969925	230 Pull Grip	1	X
6	970979	210K/L Spindle Shaft	1	

X in "Finish" column designates finished item; specify finish when ordering.



230L PARTS

Item No.	Part No.	Description	Quantity	Finish
1	050148	230L Shearpin Replacement Kit	10	
2	050156	Tailpiece Guide Lead Kit	10	
3	050526	230L Cylinder Locknut	1	
4	900894	230L Tailpiece Auxiliary		
		Tailpiece Guide	1	
		Pine Tree Clip	1	
		Tailpiece	1	
5	964334	230L Retaining Ring	1	
6	971249	230L Cylinder Collar	1	
7	971257	230L Lever Cam	1	
8	971497	230L Locking Plunger	1	
9	971245	230L Stud	1	

X in "Finish" column designates finished item; specify finish when ordering.

